

PT60 POWER TOWER

GB	User manual	11 - 14
DE	Benutzerhandbuch	15 - 18
FR	Manuel de l'utilisateur	19 - 22
NL	Gebruikershandleiding	23 - 26
IT	Manuale d'uso	27 - 30
ES	Manual del usuario	31 - 34
SV	Bruksanvisning	35 - 38
SU	Käyttöohje	39 - 42

TUNTURI®	
PT60 Power Tower	
ITEM NUMBER (SKU) : 17TSPT6000	CE
MAX LOAD WEIGHT : 300 kg/ 660 lbs	📖 ⏰
HOME USE	Made in China
Serial number:	

Download Free
Tunturi Training App



Attention, Achtung, Attention, Attentie, Attenzione, Atención, Giv akt, Huomio

- **Please read this user manual carefully prior to using this product.**
- Lesen Sie sich vor dem Gebrauch des Produkts diese Bedienungsanleitung sorgfältig durch.
- Veuillez lire attentivement le présent manuel de l'utilisateur avant d'utiliser ce produit.
- Lees deze gebruikershandleiding zorgvuldig voordat u dit product gaat gebruiken.
- Leggere attentamente questo manuale dell'utente prima di utilizzare il prodotto.
- Antes de utilizar este producto, lea atentamente este manual de usuario.
- Läs den här användarhandboken noggrant före användning av den här produkten.
- Lue tämä käyttöohje huolellisesti ennen tämän tuotteen käyttöä.

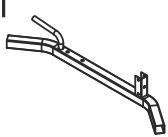
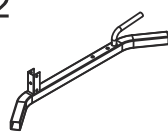
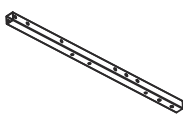
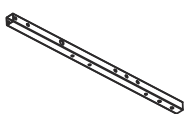





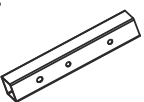

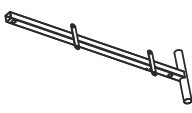
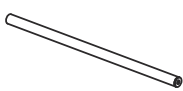



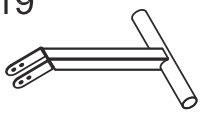



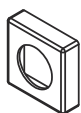


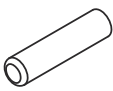

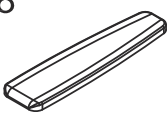

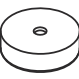
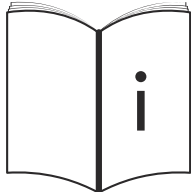


A

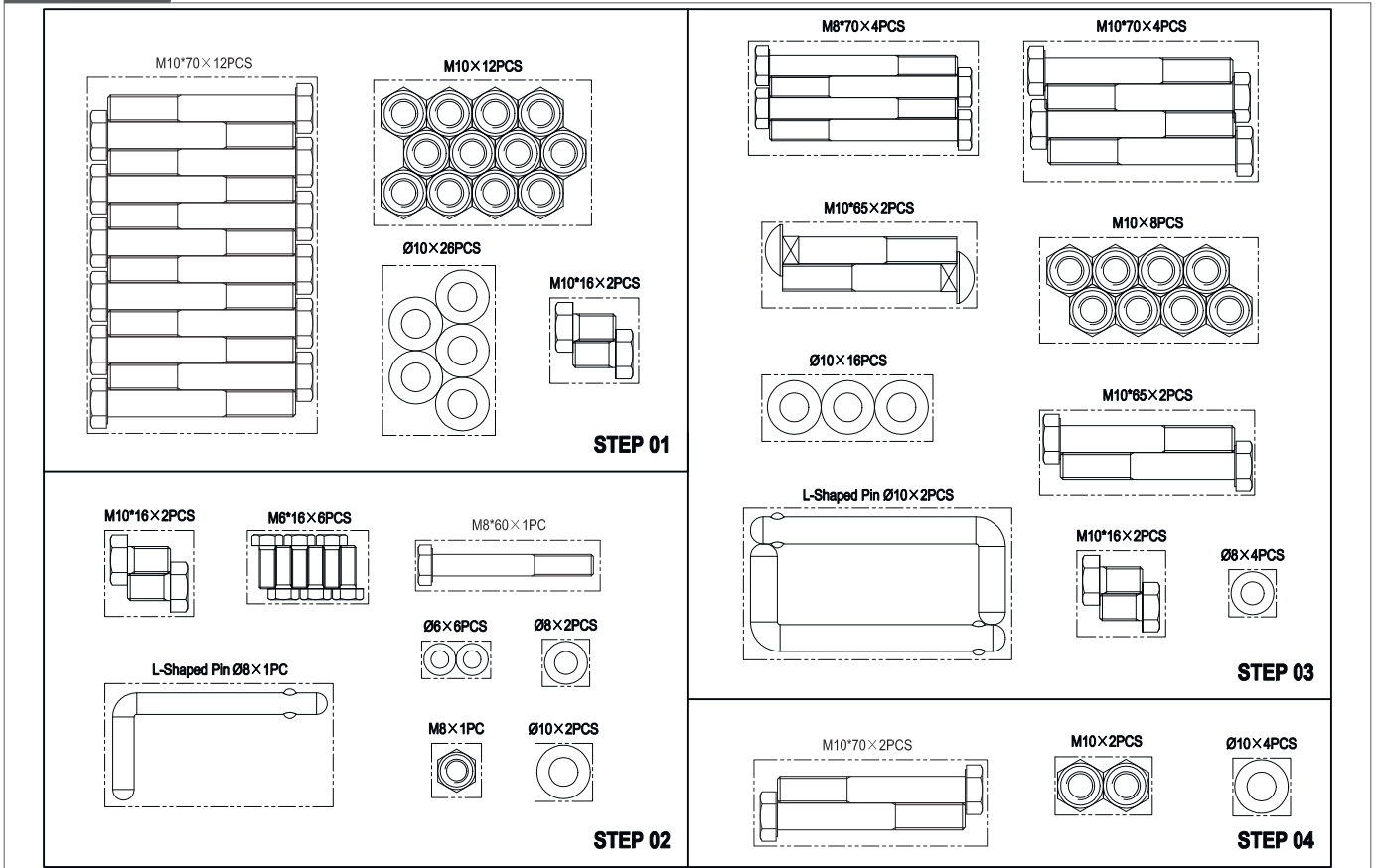




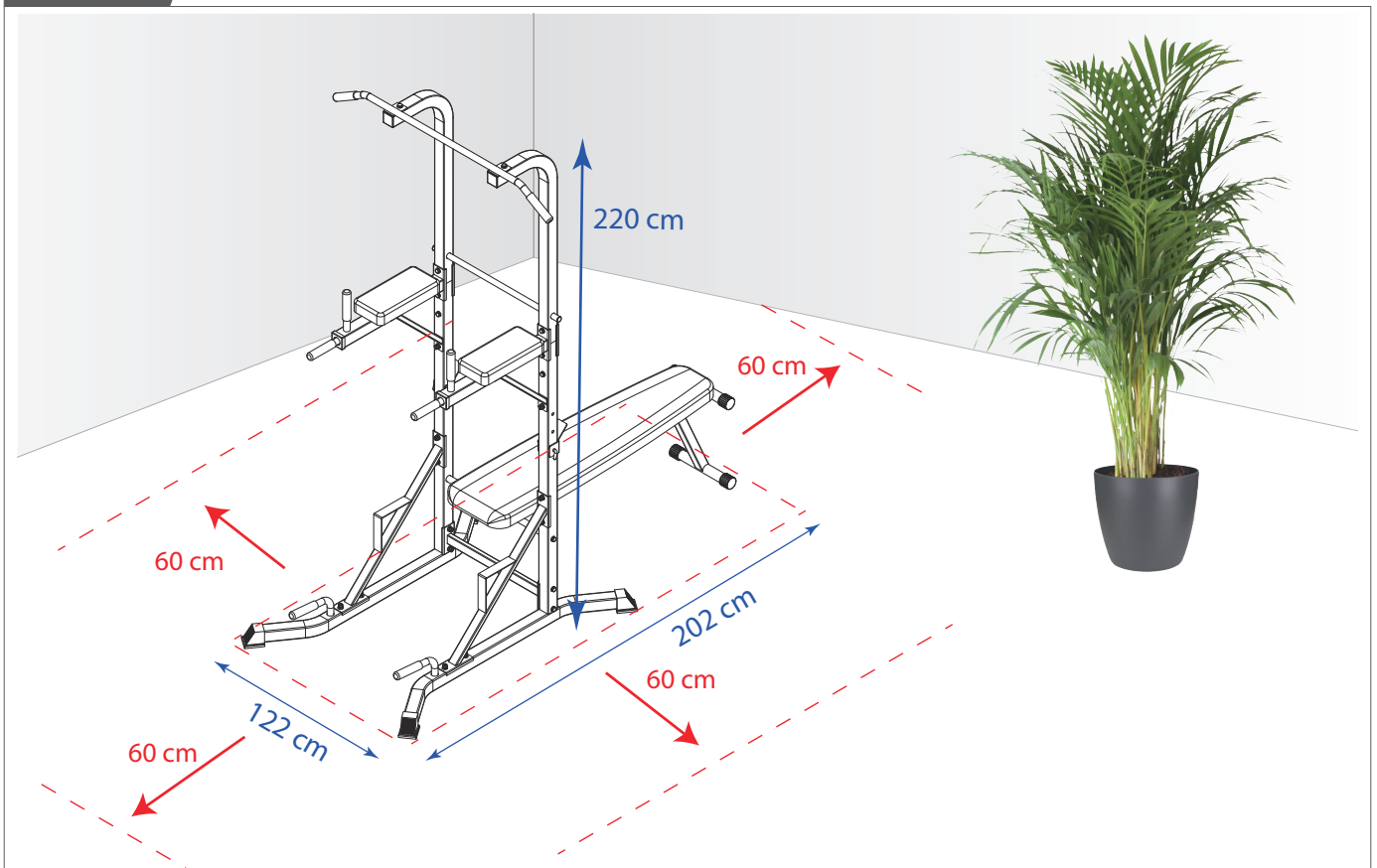
B

1 	2 	3 	4 	5 
6 	7 	10 	11 	12 
13 	14 	15 	16 	17 
18 	19 	20 	21 	22 
23 	24 	25 	26 	27 
28 	41 	42 		

C

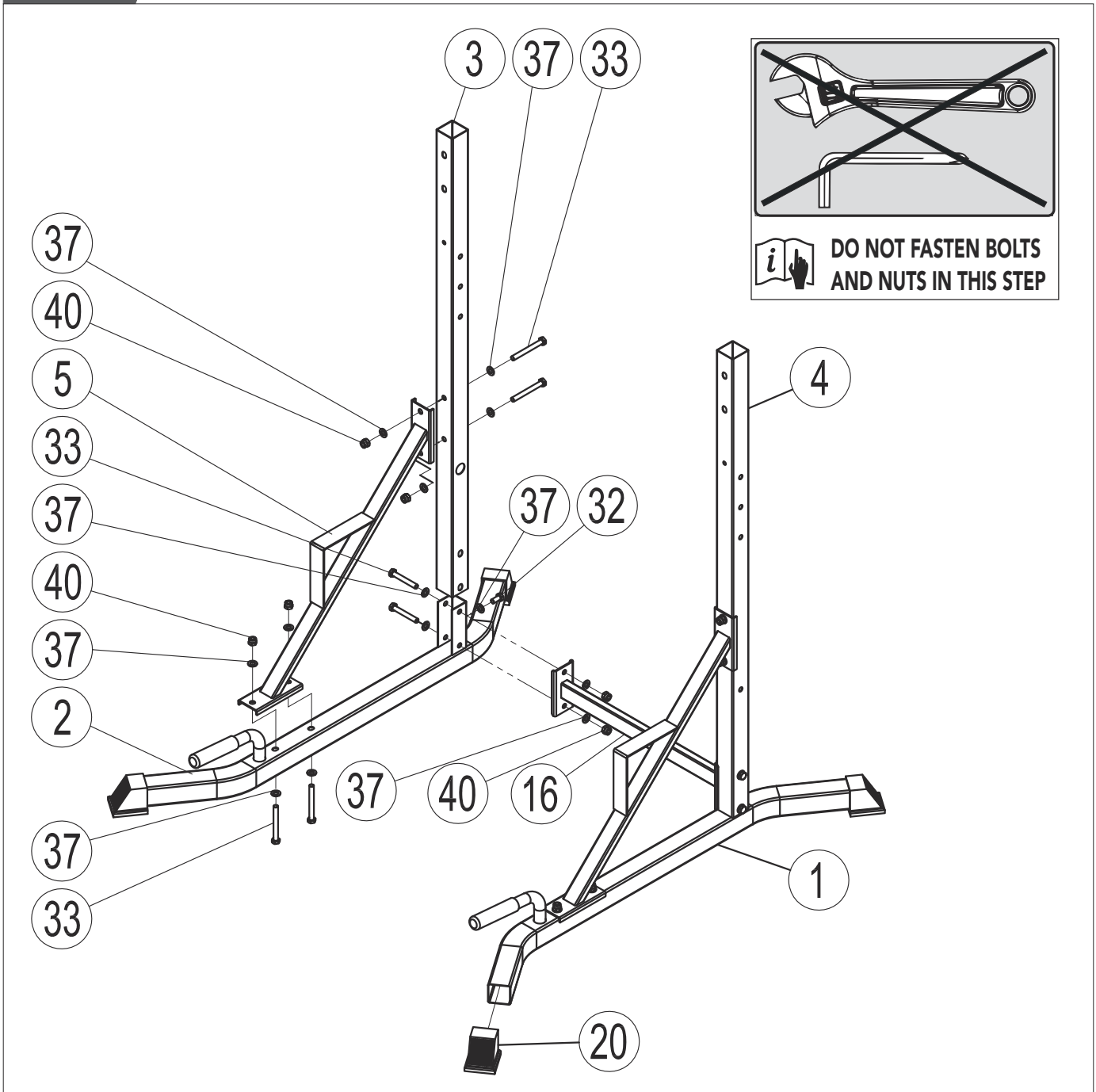


D-0





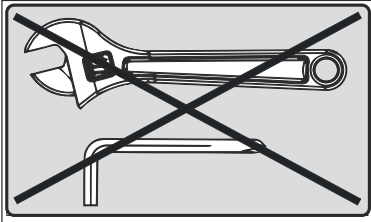
D-1



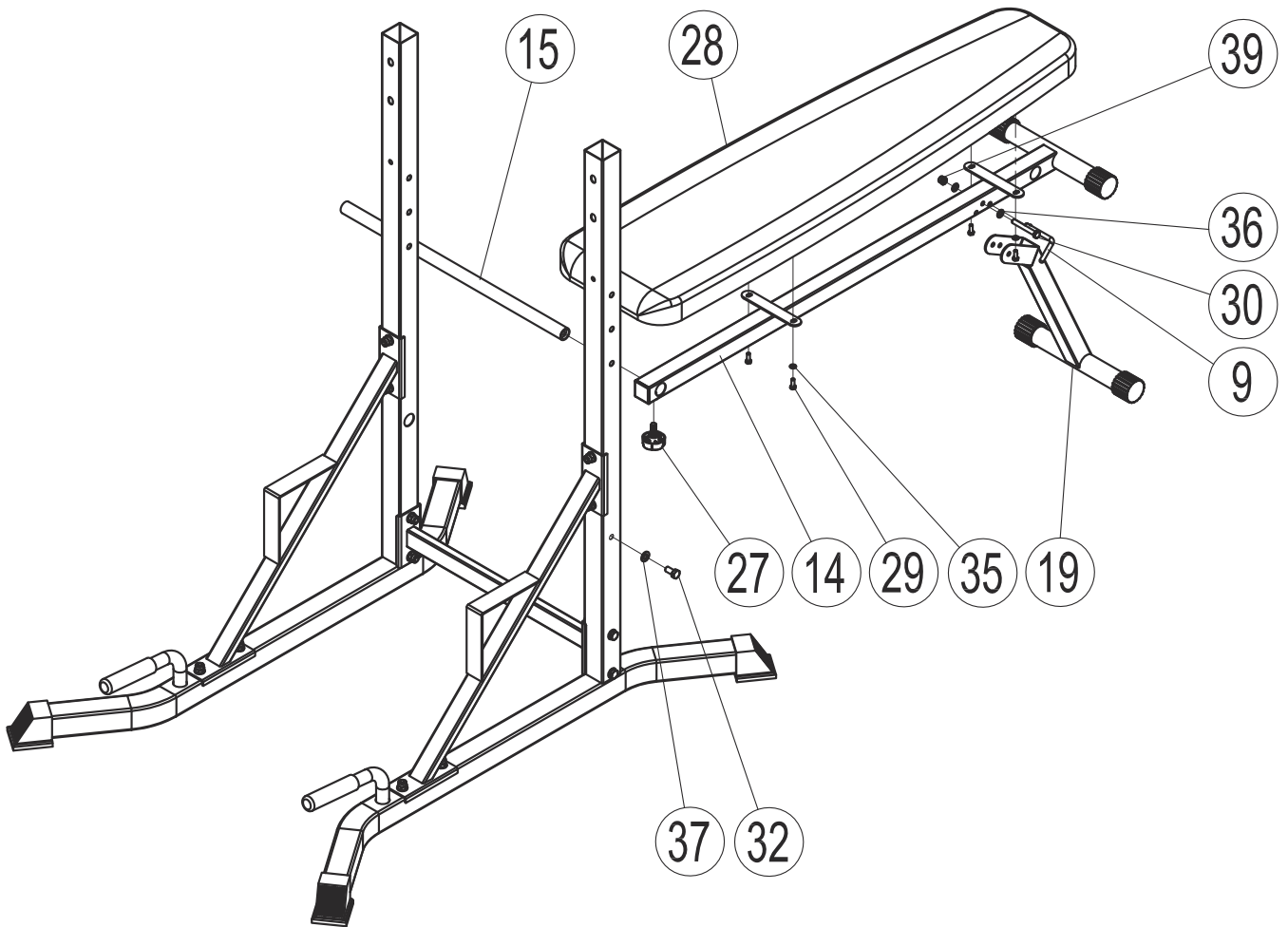
1#		Qty:1
2#		Qty:1
3#		Qty:1
4#		Qty:1
5#		Qty:2
16#		Qty:1




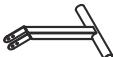


20#			Qty:4
32#		M10*16	Qty:2
33#		M10*67	Qty:12
37#		10	Qty:26
40#		M10	Qty:12








D-2



DO NOT FASTEN BOLTS AND NUTS IN THIS STEP

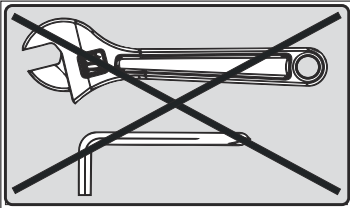


9#	 Ø8	Qty:1
14#		Qty:1
15#		Qty:1
19#		Qty:1
27#		Qty:1
28#		Qty:1

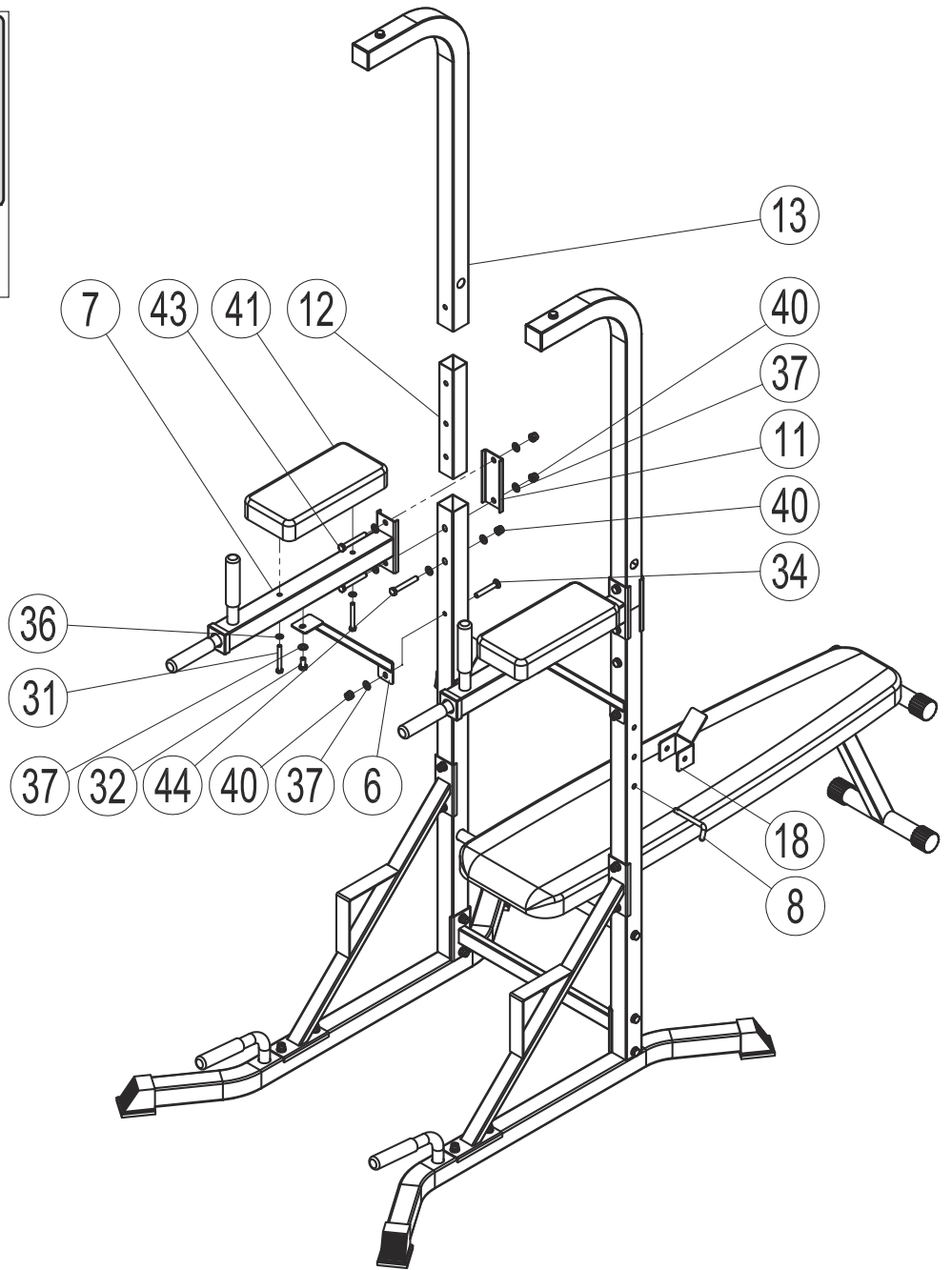
29#		M6*16	Qty:4
30#		M8*58	Qty:1
32#		M10*16	Qty:2
35#		6	Qty:4
36#		8	Qty:2
37#		10	Qty:2
39#		M8	Qty:1



D-3



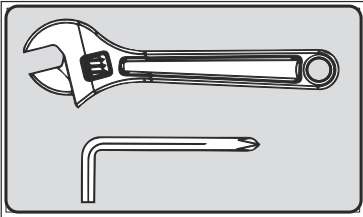
DO NOT FASTEN BOLTS AND NUTS IN THIS STEP



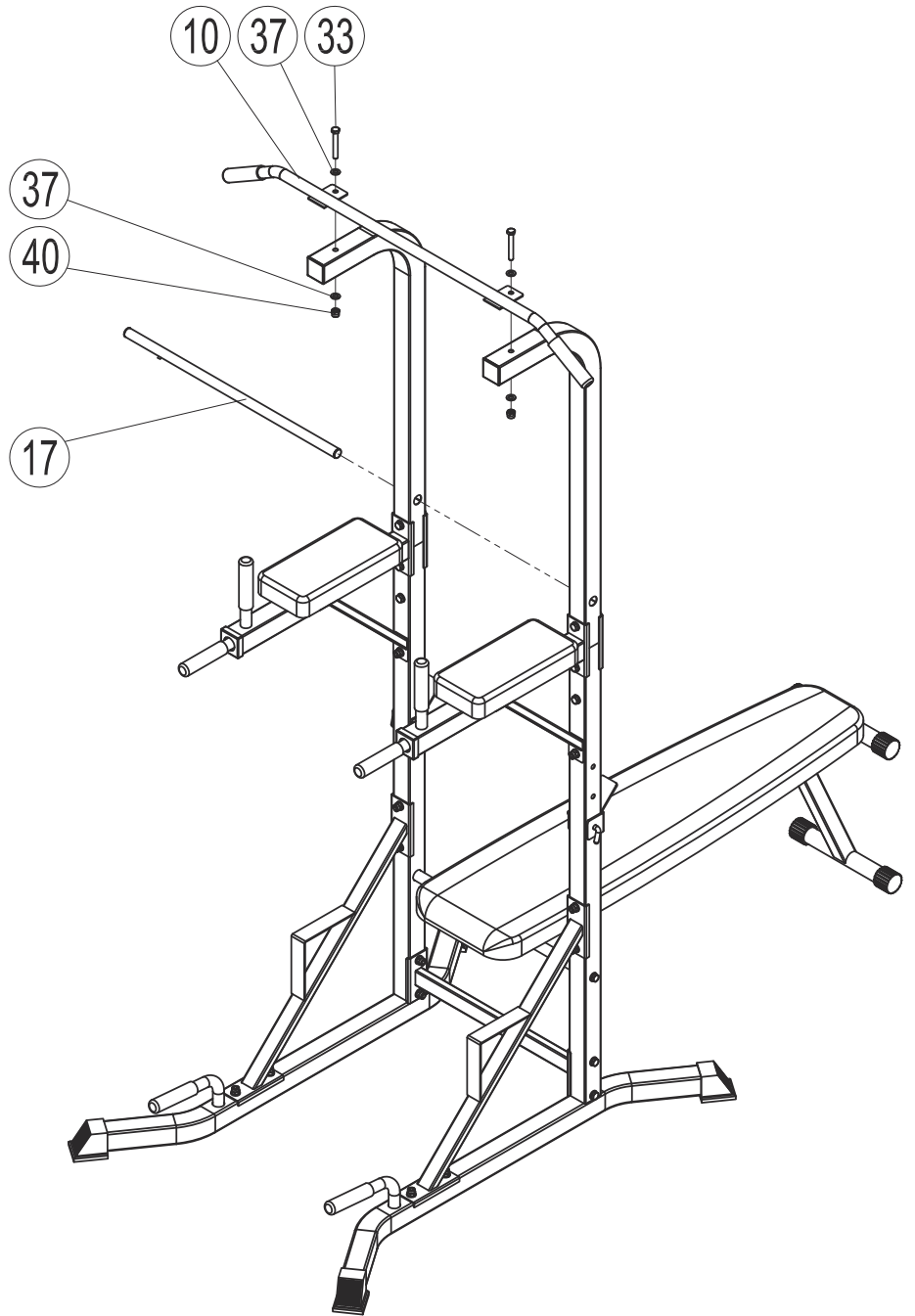
6#		Qty:2
7#		Qty:2
8#		Qty:2
11#		Qty:2
12#		Qty:2
13#		Qty:2
18#		Qty:2
41#		Qty:2

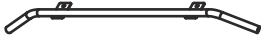

31#		M8*70	Qty:4
32#		M10*16	Qty:2
34#		M10*65	Qty:2
36#		8	Qty:4
37#		10	Qty:16
40#		M10	Qty:8
43#		M10*70	Qty:4
44#		M10*65	Qty:2

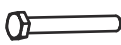


D-4



DO FASTEN ALL BOLTS AND NUTS IN THIS STEP AND BOLTS AND NUTS OF FORMER STEPS



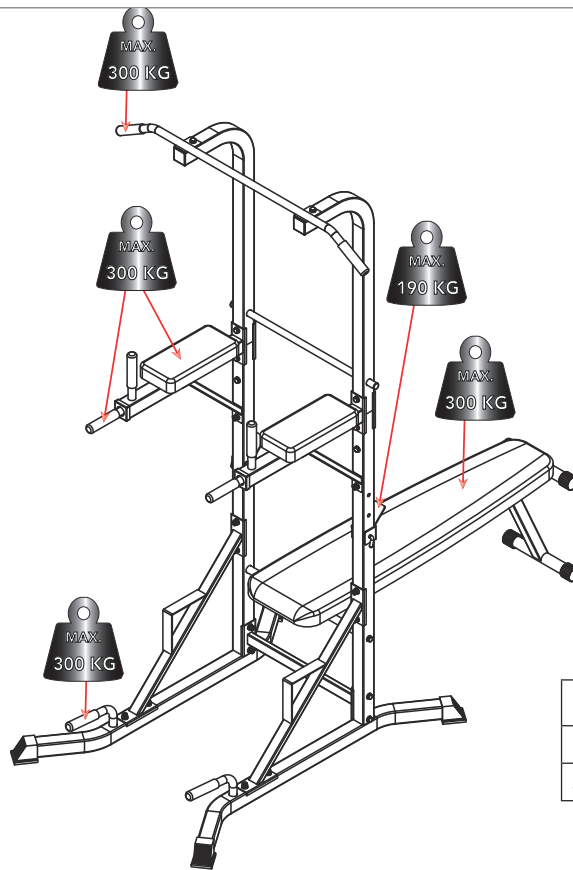
10#		Qty:1
17#		Qty:1

33#		M10*67	Qty:2
37#		10	Qty:4
40#		M10	Qty:2



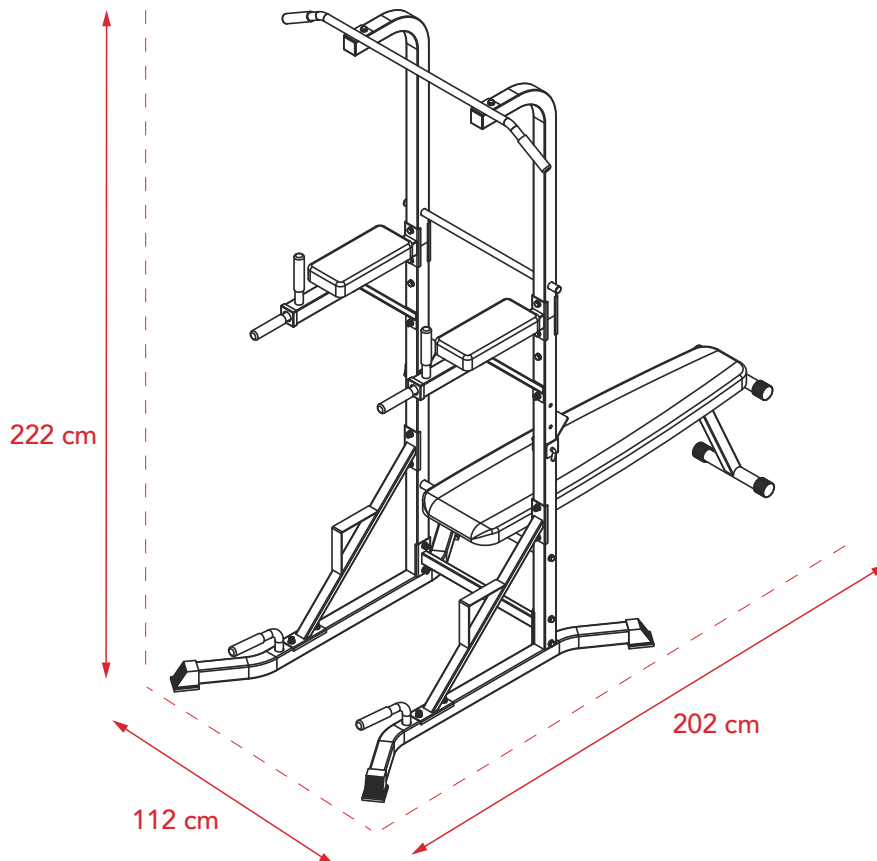
PT60 Power Tower

W-1



KG	Lbs
190	420
300	660

W-1



Index

Welcome	11
Important safety notice	11
Important assembly information	11
Before you start	11
Description illustration A	12
Description illustration B	12
Description illustration C	12
Description illustration D	12
Fasten Nuts and Bolts	12
Free area (Fig. D-0)	12
Additional information	12
Exercise guidelines	12
Building Muscle and Gaining Weight	12
Muscle Strength and Endurance	12
Training Intensity	13
Beginning a Strength Building Program	13
Cleaning and maintenance	13
Defects and malfunctions	13
Warranty	13
Limited warranty	13
Weight capacity and dimension	14
Disclaimer	14

Welcome

Welcome to the world of Tunturi!
Thank you for purchasing this piece of Tunturi equipment.
Tunturi offers a wide range of home fitness equipment, including crosstrainers, treadmills, exercise bikes, rowers, strength benches and multi stations. The Tunturi equipment is suitable for the entire family, no matter what fitness level. For more information, please visit our website www.tunturi.com

Important Safety Instructions

This manual is an essential part of your training equipment please read all instructions in this manual before you start using this equipment. The following precautions must always be followed:

Important safety notice

This exercise equipment is built for optimum safety. However, certain precautions apply whenever you operate a piece of exercise equipment. Be sure to read the entire manual before you assemble or operate your equipment. In particular, note the following safety precautions:

- Keep children and pets away from the equipment at all times. DO NOT leave children unattended in the same room with the equipment.
- Only one person at a time should use the equipment.
- If the user experiences dizziness, nausea, chest pain, or any other abnormal symptoms, STOP the workout at once. CONSULT A PHYSICIAN IMMEDIATELY.
Position the equipment on a clear, levelled surface. DO NOT use the equipment near water or outdoors.
- Keep hands away from all moving parts.
- Always wear appropriate workout clothing when exercising. DO NOT wear robes or other clothing that could become caught in the equipment. Running or aerobic shoes are also required when using the equipment.
Use the equipment only for its intended use as described in this manual. DO NOT use attachments not recommended by the manufacturer.
- Do not place any sharp object around the equipment.
- Disabled person should not use the equipment.
- Before using the equipment to exercise, always do stretching exercises to properly warm up.
- Never operate the equipment if the equipment is not functioning properly.
- A spotter is recommended during exercise.
- This equipment is designed and intended for home and consumer use only, not for commercial use.

Warning:

Before beginning any exercise program, consult your physician. This is especially important for individuals over the age of 35 or persons with pre-existing health problems.
Read all instructions before using any fitness equipment.
Tunturi New fitness bv. assumes no responsibility for personal injury or property damage sustained by or through the use of this product.

Save these instructions!

Important assembly information

Before you start

We recommend to use two adjustable wrenches to assemble your product. If you have metric sized wrenches in correct size this is fine too.

NOTE

- Suitable (adjustable) wrenches are "NOT" provided with the product, neither included in the assembly kit.
- It is strongly recommended that this equipment is assembled by two or more people to avoid possible injury.

Description illustration A

The illustration shows what the trainer will look like after the assembly is completed. You can use this as a reference during your assembly, but do follow the assembly steps always in the correct sequence as showed in the illustrations.

Description illustration B

The illustration shows what components and parts you should find when un-boxing your product.

NOTE

- Small parts can be hidden/ packed in hollow spaces in the Styrofoam product protection
- If a part is missing, contact your dealer.

Description illustration C

The illustration shows the hardware kit that comes with your product. The hardware kit contains bolts, washers, screws, nuts etc. and the required tools to properly fit your trainer.

Description illustration D

The illustrations shows you in the correct following order how to assembly your trainer best.

NOTE

- Part numbers shown in the assembly steps are commencing with the spare part drawing that can be found in the online full version user manual.

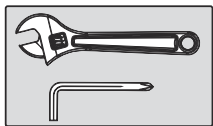
WARNING

- Assemble the equipment in the given order.
- Carry and move the equipment with at least two persons.

CAUTION

- Place the equipment on a firm, level surface.
- Place the equipment on a protective base to prevent damage to the floor surface.
- Refer to the illustrations for the correct assembly of the equipment.

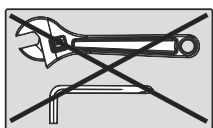
Fasten Nuts and Bolts



Securely tighten all Nuts and Bolts after all components have been assembled in current and previous steps.

NOTE

- Do not over tighten any component with pivoting function.
- Make sure all pivoting components are able to move freely.



Do not tighten all Nuts and Bolts in this step.

Free area (Fig. D-0)

Adequate space is a prerequisite for use.

The free area should be no less than 0.6m greater than the *training area in the directions from which the equipment is accessed. The free area must also include the area for emergency dismount. Where equipment is positioned adjacent to each other, the value of the free area may be shared.

*Training area is the maximum length/width/ height of the trainer, including moving parts, been measured to its maximum length/ width/ height during use.

IMPORTANT

Because your trainer will/ can set in the first using hours, we recommend you do a quick check on the hardware you have fitted during your assembly.

We suggest tightening all bolts and nuts once again after the first few workout sessions (approximate 10 hours).

Just to assure the bolts and nuts are still tightened well for your trainer's best performance.

NOTE

- We recommend checking the hardware regularly, at least once every 3 months.

Additional information

Packaging disposal

Government guidelines ask that we reduce the amount of waste material disposed of in land fill sites. We therefore ask that you dispose of all packaging waste responsibly at public recycling centres.

End of life disposal

We at Tunturi hope you enjoy many years of enjoyable use from your fitness trainer. However, a Time will come when your fitness trainer will come to the end of its useful life. Under 'European WEEE Legislation you are responsible for the appropriate disposal of your fitness trainer to a recognised public collection facility.

Exercise guidelines

Building Muscle and Gaining Weight

Unlike aerobic exercise, which emphasizes endurance training, anaerobic exercise focuses on strength training. A gradual weight gain can occur while building the size and strength of muscles. While developing muscle mass, your body adapts to the stress placed upon it. You can modify your diet to include foods such as meat, fish and vegetables.

These foods help muscles recover and replenish important nutrients after a strenuous workout.

Muscle Strength and Endurance

To achieve the greatest benefit from exercise, it is important to develop an exercise program that allows you to work all of the major muscle groups equally.

To increase muscles strength; follow this principle:

Increasing resistance and maintaining the number of repetitions of an exercise results in increased muscle strength.

To tone your body, follow the principle: Decreasing resistance plus increasing the number of repetitions of an exercise results in increased body tone.

Once you feel comfortable with an exercise, you can change the resistance, the number of repetitions, or the speed at which you do the exercise. It is not necessary to change all three variables. For example, let's say that you are training at 10 kg. and performing the exercise 10 times in 3 minutes. When this becomes too easy, you may decide to move up lifting 12 kg. for the same number of repetitions in the same amount of time. Lifting more weights fewer times most often develops muscle strength. To gain both muscle strength and endurance, it is recommended that you perform each exercise 15 to 20 reps per set.

Training Intensity

How hard you begin to train depends on your overall level of fitness. The soreness you experienced can be lessened by decreasing the load you place on your muscles and by performing fewer sets.

To avoid injury, you should gradually work into an exercise program and set the load to your individual fitness level. The load should increase as your fitness level increases.

Muscle soreness is common, especially when you first start exercising. If you are painfully sore for a long time, it may be time to change your program. Eventually, your muscle system will become accustomed to the stress and strain placed on it

Beginning a Strength Building Program

Warming Up

To begin strength training, it is important to stretch and perform light exercise for 5 to 10 minutes. This helps prepare the body for more strenuous exercise by increasing circulation, raising your body temperature and developing more oxygen to your muscles.

Workout

Each workout to keep in mind that muscle soreness that lasts for a long period is not desirable and may mean that injury has occurred.

Cool Down

At the end of each workout, perform slow stretching exercises for 5 to 10 minutes. Ease into each stretch only going as far as you can. This stage allows your muscles wind down after training.

To provide a total workout program it is also recommended that 2 to 3 days of aerobic exercise is performed in addition to the strength training.

Drinking Water

For the body to function properly, it must be properly hydrated. If you are exercising, you should increase your fluid intake. The reason for this is that the water you take in will leave your system through the sweating mechanism that cools your body during exercise. The water you lose through exercise must be replaced so that the muscles can recover properly.

Rest Day

Although you may not feel like doing it, taking a rest day at least once a week is important because it gives your body a chance to heal itself. Continuously working your muscle will result in over training which will not benefit in the long run.

Cleaning and maintenance

- Lubricate moving parts with WD-40 or light oil periodically.
- Inspect and tighten all parts before using the equipment.
- The equipment can be cleaned using a damp cloth and mild non-abrasive detergent. DO NOT use solvents.
- Examine the equipment regularly for signs of damages or wear.
- Replace any defective components immediately and/or keep the equipment out of use until repair.
- Failure to examine regularly may affect the safety level of the equipment.

Defects and malfunctions

Despite continuous quality control, defects and malfunctions caused by individual parts can occur in the equipment. In most cases, it will be sufficient to replace the defective part.

- If the equipment does not function properly, immediately contact the dealer.
- Provide the model number and the serial number of the equipment to the dealer. State the nature of the problem, conditions of use and purchase date.

Further contact information or user manuals in other languages can be found on our website.

Warranty

Tunturi purchaser's warranty

Warranty terms

The consumer is entitled to the applicable legal rights stated in the national legislation concerning the commerce of consumer goods. This warranty does not restrict these rights. The Purchaser's Warranty is only valid if the item is used in an environment approved by Tunturi New Fitness BV, and is maintained as instructed for that particular equipment. The product-specific approved environment and maintenance instructions are stated in the "user manual" of the product. The "user manual" can be downloaded from our website. <http://manuals.tunturi.com>

Limited warranty

Tunturi New Fitness warrants this product to be free from defects in workmanship and material, under normal use and service conditions, for a period of two years on the frame and one year on all other parts and components from the date of purchase. This warranty extends only to the original purchaser. Tunturi New Fitness's obligation under this Warranty is limited to replacing damaged or faulty parts at Tunturi New Fitness's option.

All returns must be pre-authorized by Tunturi New Fitness. This warranty does not extend to any product or damage to a product caused by or attributable to freight damage, abuse, misuse, improper or abnormal usage, purchasers own repairs or for products used for commercial or rental purposes. No other warranty beyond that specifically set forth above is authorized by Tunturi New Fitness.

Tunturi New Fitness is not responsible or liable for indirect, special or consequential damages arising out of or in connection with the use or performance of the product or other damages with respect to any economic loss, loss of property, loss of revenues or profits, loss of enjoyments or use, costs of removal, installation or other consequential damages or whatsoever natures.

The warranty extended hereunder is in lieu of any and all other warranties and any implied warranties of merchantability or fitness for a particular purpose is limited in its scope and duration to the terms set forth herein.

Your statutory rights are not affected.

Weight capacity and dimension

(Fig. W#1)

- Maximum load weight: 300 kg.
Assembled Dimension: 112x 202x 220 cm.

Disclaimer

© 2020 Tunturi New Fitness BV
All rights reserved.

- The product and the manual are subject to change.
- Specifications can be changed without further notice.
- Check our website for the latest user manual version.

Deutsch

Diese deutsche Bedienungsanleitung ist eine Übersetzung des englischen Textes. Es können keine Rechte auf diese Übersetzung abgeleitet werden.

Index

Willkommen..... 15

Wichtiger Sicherheitshinweis..... 15

Wichtige Montageinformationen..... 16
 Das sollten Sie vor Beginn wissen 16
 Beschreibung Abbildung A 16
 Beschreibung Abbildung B 16
 Beschreibung Abbildung C 16
 Beschreibung Abbildung D 16
 Ziehen Muttern und Schrauben 16
 Freier Bereich (Abb D-0)..... 16
 Zusätzliche Informationen 16

Übungsrichtlinie..... 17
 Muskelaufbau und Gewichtszunahme..... 17
 Muskelstärke und Ausdauer 17
 Trainingsintensität 17
 Beginn eines Programms zum Kraftaufbau 17

Reinigung und Wartung..... 17
 Störungen und Fehlfunktionen..... 17

Garantie..... 18
 Eingeschränkte Garantie 18

Tragkraft und Abmessung 18

Haftungsausschluss..... 18

Willkommen

Willkommen in der Welt von Tunturi!

Danke, dass Sie dieses Gerät von Tunturi erworben haben. Tunturi bietet eine breite Palette an Heim-Fitnessgeräten wie beispielsweise Crosstrainer, Laufbänder, Trainingsfahrräder, Rudergeräte, Kraftbänke und Multi-Stationen an. Die Tunturi Geräte sind für die ganze Familie geeignet - ganz egal, wie fit man ist. Weitere Informationen finden Sie auf unserer Website unter www.tunturi.com

Wichtige sicherheitshinweise

Diese Anleitung ist ein unerlässlicher Teil Ihres Trainingsgeräts: Lesen Sie alle Anweisungen in diesem Handbuch durch, bevor Sie dieses Gerät verwenden. Die folgenden Vorsichtsmaßnahmen müssen immer befolgt werden.

Wichtiger Sicherheitshinweis

Das Trainingsgerät ist für optimale Sicherheit konstruiert. Jedoch gelten bestimmte Vorsichtsmaßnahmen, wenn Sie ein Trainingsgerät betreiben. Lesen Sie das gesamte Handbuch durch, bevor Sie das Gerät montieren oder betreiben. Beachten Sie insbesondere die folgende Sicherheitsmaßnahmen:

- Halten Sie Kinder und Haustiere immer vom Gerät fern. Lassen Sie Kinder NICHT unbeaufsichtigt mit dem Gerät in einem Raum.
- Das Gerät darf nur jeweils von einer Person gleichzeitig verwendet werden.
- Wenn sich Schwindel, Übelkeit, Brustschmerzen oder andere abnorme Symptome beim Benutzer einstellen, sollte das Training sofort beendet werden. SUCHEN SIE SOFORT EINEN ARZT AUF.
- Stellen Sie das Gerät auf eine saubere, ebene Fläche. Verwenden Sie das Gerät NICHT in der Nähe von Wasser oder im Freien.
- Halten Sie die Hände von beweglichen Teilen fern.
- Tragen Sie während des Trainings immer geeignete Sportkleidung. Tragen Sie keine langen Röcke oder andere Kleidung, die sich im Gerät verfangen kann. Tragen Sie bei Verwendung des Geräts Lauf- oder Aerobic-Schuhe.
- Verwenden Sie das Gerät nur für den beabsichtigten Gebrauch wie in diesem Handbuch beschrieben. Verwenden Sie keine Anbauteile, die NICHT vom Hersteller empfohlen sind.
- Stellen Sie keine spitzen Gegenstände rund um das Gerät auf.
- Behinderte Personen dürfen das Gerät nicht ohne Beaufsichtigung durch eine qualifizierte Person oder einen Arzt benutzen.
- Machen Sie vor Verwendung des Geräts immer Deh-nübungen, um sich aufzuwärmen.
- 11. Verwenden Sie das Gerät nicht, wenn es nicht richtig funktioniert.
- Für das Training wird ein Helfer empfohlen.
- Stecken Sie den Gewichtsauswahlstift nicht hinein, während sich der Gewichtsstapel oder die obere Platte in einer erhöhten Position befinden.
- Achten Sie darauf, dass der Auswahlstift vollständig hineingesteckt ist.
- Verwenden Sie keine Hanteln oder andere Mittel, um den Gewichtswiderstand zu erhöhen. Verwenden Sie nur vom Hersteller gelieferte Gewichtsplatten.
- Das Gerät ist für den privaten Gebrauch und nicht für den gewerblichen Gebrauch gedacht.

Warnung:

Ziehen sie vor Durchführung eines Übungsprogramms ihren Arzt zu rate. dies gilt insbesondere für Personen über 35 Jahre oder für Personen mit bestehenden gesundheitlichen Problemen. lesen sie vor Verwendung von Fitnessgeräten die gesamte Anleitung durch.

Tunturi New Fitness bv übernimmt keine Verantwortung für Verletzungen oder Sachschäden, die durch dieses Produkt oder durch Verwendung dieses Produkts entstehen.

Bewahren sie diese Anleitung auf!

Wichtige Montageinformationen

Das sollten Sie vor Beginn wissen

Wir empfehlen die Verwendung von zwei verstellbaren Schraubenschlüsseln für die Montage Ihres Produkts. Wenn Sie metrische Schraubenschlüssel in der richtigen Größe haben, ist das auch in Ordnung.

HINWEIS

- Geeignete (verstellbare) Schraubenschlüssel werden "NICHT" mit dem Produkt geliefert und sind auch nicht im Montagesatz enthalten.
- Dieses Gerät sollte unbedingt von mindestens zwei Personen montiert werden, um Verletzungen zu vermeiden.

Beschreibung Abbildung A

Die Abbildung zeigt, wie das Gerät nach der Montage aussehen wird. Sie können diese bei der Montage als Referenz verwenden, befolgen Sie die Montageschritte aber immer in der richtigen Reihenfolge, wie in den Abbildungen gezeigt.

Beschreibung Abbildung B

Die Abbildung zeigt, welche Komponenten und Teile in der Lieferung enthalten sein sollen.

HINWEIS

- Kleinteile können in Hohlräumen im Styropor-Produktschutz versteckt/verpackt werden
- Fehlt ein Teil, wenden Sie sich an Ihren Händler.

Beschreibung Abbildung C

Die Abbildung zeigt den Zubehörsatz, der mit Ihrem Produkt geliefert wird.

Er enthält Schrauben, Unterlegscheiben, Muttern usw. sowie die erforderlichen Werkzeuge zur ordnungsgemäßen Montage Ihres Trainers.

Beschreibung Abbildung D

Die Abbildungen zeigen Ihnen in der richtigen Reihenfolge, wie Sie Ihren Trainer am besten montieren.

HINWEIS

- Die in den Montageschritten angegebenen Teilenummern beginnen mit der Ersatzteilzeichnung, die Sie in der Online-Vollversion des Benutzerhandbuchs finden.

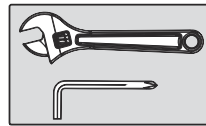
WARNUNG

- Bauen Sie das Gerät in der angegebenen Reihenfolge zusammen.
- Tragen und bewegen Sie das Gerät mit mindestens zwei Personen.

VORSICHT

- Stellen Sie das Gerät auf festen, ebenen Boden.
- Stellen Sie das Gerät auf eine schützende Unterlage, um Schäden am Bodenbelag zu vermeiden.
- Der richtige Zusammenbau des Geräts geht aus den Abbildungen hervor.

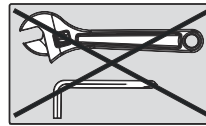
Ziehen Muttern und Schrauben



Ziehen Sie die Muttern und Schrauben fest an, nachdem alle Komponenten im aktuellen und in den vorherigen Schritten montiert wurden.

HINWEIS

- Ziehen Sie Komponenten mit Drehfunktion nicht zu fest an.
- Vergewissern Sie sich, dass sich alle Drehkomponenten frei drehen können.



Ziehen Sie nicht alle Muttern und Schrauben in diesem Schritt fest.

Freier Bereich (Abb D-0)

Voraussetzung für die Nutzung ist ein ausreichender Platz.

Die freie Fläche sollte in den Richtungen, aus denen das Gerät betreten wird, mindestens 0,6 m größer sein als die *Trainingsfläche. Die freie Fläche muss auch den Bereich für den Notabstieg umfassen. Wenn Geräte nebeneinander aufgestellt sind, kann die freie Fläche halbiert werden.

*Die Trainingsfläche ist die maximale Länge/Breite/Höhe des Trainers, einschließlich der beweglichen Teile, gemessen an seiner maximalen Länge/Breite/Höhe während der Benutzung.

WICHTIG

Da sich Ihr Gerät in den ersten Betriebsstunden noch verschieben wird/kann, empfehlen wir Ihnen, die von Ihnen montierten Beschläge kurz zu überprüfen.

Wir empfehlen, alle Schrauben und Muttern nach den ersten paar Trainingseinheiten (ca. 10 Stunden) noch einmal nachzuziehen. So stellen Sie sicher, dass die Schrauben und Muttern immer noch gut angezogen sind, um die beste Leistung Ihres Trainers zu gewährleisten.

HINWEIS

- Wir empfehlen, die Gerätekomponenten regelmäßig zu überprüfen, mindestens einmal alle 3 Monate.

Zusätzliche Informationen

Verpackungsentsorgung

Staatliche Vorschriften sagen, dass wir die in Deponien entsorgen Abfallmengen verringern sollen. Daher bitten wir Sie, den gesamten Verpackungsabfall an öffentlichen Recyclingstellen abzugeben

Entsorgung am ende der Lebensdauer

Wir bei Tunturi hoffen, dass Sie Ihren Fitnesstrainer viele Jahre mit Freude nutzen werden. Jedoch wird irgendwann die Zeit kommen, wenn die Ende der Nutzungsdauer des Fitnesstrainers erreicht ist. Gemäß den europäischen WEEE-Gesetzen sind Sie für eine geeignete Entsorgung des Fitnesstrainers bei einer anerkannten öffentlichen Entsorgungsstelle verantwortlich.

Übungsrichtlinie

Muskelaufbau und Gewichtszunahme

Anders als aerobe Übungen, die das Training der Ausdauer betonen, konzentrieren sich anaerobe Übungen auf das Krafttraining. Eine allmähliche Gewichtszunahme kann eintreten, wenn die Größe und die Stärke der Muskeln aufgebaut wird. Während der Entwicklung von Muskelmasse passt sich der Körper an die Belastung an, die auf ihn wirkt. Sie können Ihre Ernährung so ändern, dass sie Lebensmittel wie Fleisch, Fisch und Gemüse beinhaltet. Diese Lebensmittel helfen Muskeln bei der Regeneration und bieten wichtige Nährstoffe nach einem anstrengenden Training.

Muskelstärke und Ausdauer

Um den größten Nutzen aus dem Training zu ziehen, ist es wichtig, ein Übungsprogramm zu entwickeln, das es Ihnen ermöglicht, alle größeren Muskelgruppen gleichmäßig zu trainieren. Um die Muskelkraft zu steigern, befolgen Sie dieses Prinzip: Zunehmender Widerstand und Beibehaltung der Anzahl der Wiederholungen einer Übung führen zu erhöhter Muskelkraft.

Um Ihren Körper zu formen, befolgen Sie dieses Prinzip: Abnehmender Widerstand und plus Steigerung der Anzahl der Wiederholungen einer Übung führen zu erhöhter Körperspannung. Sobald Sie sich an eine Übung gewöhnt haben, können Sie den Widerstand, die Anzahl der Wiederholungen oder die Geschwindigkeit, mit der Sie die Übung durchführen, ändern. Es ist nicht nötig, alle drei Variablen zu ändern. Nehmen wir an, dass Sie zum Beispiel mit 10 kg. trainieren und die Übung 10 Mal in 3 Minuten durchführen. Wenn dies zu einfach wird, können Sie sich entscheiden, 12 kg. mit derselben Anzahl an Wiederholungen in derselben Zeit durchzuführen. Wenn Sie mehr Gewichte weniger oft heben, entwickeln Sie Muskelkraft. Um sowohl Muskelstärke als auch Ausdauer zu gewinnen, sollten Sie jede Übung mit 15 bis 20 Wiederholungen pro Satz durchführen.

Trainingsintensität

Auf welcher Stufe Sie Ihr Training beginnen, hängt von Ihrem gesamten Fitnessniveau ab. Eventuelle Schmerzen können durch Verringerung der Last gemildert werden, die Sie auf Ihre Muskeln wirken lassen, und durch Ausführung weniger Sätze. Um Verletzungen zu vermeiden, sollten Sie in ein Übungsprogramm nach und nach einsteigen und die Last Ihrem individuellen Fitnessniveau anpassen. Die Last sollte mit steigendem Fitnessniveau erhöht werden. Muskelschmerzen sind häufig, insbesondere wenn Sie mit einer Übung erstmals beginnen. Wenn Sie längere Zeit Schmerzen haben, kann es Zeit sein, das Programm zu ändern. Schließlich gewöhnen sich Ihre Muskeln an die Belastung und den Druck, der auf sie wirkt.

Beginn eines Programms zum Kraftaufbau

Aufwärmen

Vor Beginn des eigentlichen Krafttrainings ist es wichtig, 5 bis 10 Minuten Dehn- und leichte Übungen durchzuführen. Dies bereitet den Körper auf die anstrengendere Übung vor, indem der Kreislauf angeregt, die Körpertemperatur gesteigert und in den Muskeln mehr Sauerstoff erzeugt wird.

Training

Denken Sie bei jedem Training daran, dass Muskelschmerzen, die längere andauern, nicht wünschenswert sind und bedeuten können, dass es eine Verletzung vorliegt.

Abkühlen

Führen Sie am Ende jedes Trainings 5 bis 10 Minuten langsame Dehnübungen durch. Führen Sie jede Dehnung nur so weit durch, wie Sie können. In dieser Phase können sich Ihre Muskeln nach dem Training entspannen. Für ein komplettes Trainingsprogramm sollten neben dem Krafttraining an 2 bis 3 Tagen aerobe Übungen durchgeführt werden.

Getränke

Damit der Körper richtig funktioniert, muss er mit Wasser versorgt werden. Wenn Sie trainieren, sollten Sie die Flüssigkeitsaufnahme erhöhen. Der Grund dafür ist, dass das Wasser, das Sie zu sich nehmen, Ihren Körper durch das Schwitzen verlässt, das den Körper während der Übung abkühlt. Das Wasser, das Sie während der Übung verlieren, muss ersetzt werden, damit sich die Muskeln richtig regenerieren können.

Ruhetag

Auch wenn Sie keine Lust dazu haben, ist mindestens ein Ruhetag pro Woche wichtig, da dies zur Selbstheilung Ihres Körpers beiträgt. Wenn Sie Ihre Muskeln ohne Pause trainieren, werden sie übertrainiert, was langfristig nicht gut ist.

Reinigung und Wartung

- Schmieren Sie bewegliche Teile regelmäßig mit WD-40 oder Leichtöl.
- Überprüfen Sie vor Verwendung des Geräts alle Teile und ziehen Sie sie fest.
- Das Gerät kann mit einem feuchten Tuch und einem milden, nicht scheuernden Reinigungsmittel gereinigt werden. Verwenden Sie KEINE Lösungsmittel.
- Überprüfen Sie das Gerät regelmäßig auf Anzeichen von Schäden oder Verschleiß.
- Tauschen Sie defekte Teile umgehend aus und/oder verwenden Sie das Gerät nicht, bis es repariert ist.
- Fehlende Überprüfung kann die Sicherheit des Geräts beeinträchtigen.

Störungen und Fehlfunktionen

Trotz ständiger Qualitätskontrolle können durch Einzelteile verursachte Störungen und Fehlfunktionen am Gerät auftreten. In den meisten Fällen ist es ausreichend, das defekte Teil zu erneuern.

- Falls das Gerät nicht ordnungsgemäß funktioniert, wenden Sie sich unverzüglich an den Händler.
- Nennen Sie dem Händler Modell- und Seriennummer des Geräts. Schildern Sie die Art des Problems, die Gebrauchsbedingungen und das Kaufdatum.

Kontaktinformationen und Produkthandbücher in weiteren Sprachen finden Sie auf unseren Websites:

Garantie

Eigentümer-garantie für Tunturi fitnessgeräte.

Garantiebedingungen

Der Käufer hat Anspruch auf die anwendbaren Bestimmungen, die in der jeweiligen nationalen Gesetzgebung für den Handel mit Konsumgütern festgelegt sind. Diese Garantie schränkt diese Rechte nicht ein. Die Garantie des Käufers gilt nur, wenn der Artikel in einer Umgebung verwendet und nach Anweisung gewartet wird, die von Tunturi New Fitness BV für dieses Gerät genehmigt wurde. Die produktspezifisch zugelassene Umgebung und Wartungshinweise sind im "Benutzerhandbuch" des Produkts angegeben. Das "Benutzerhandbuch" kann von unserer Website heruntergeladen werden. <http://manuals.tunturi.com>

Eingeschränkte Garantie

Tunturi New Fitness garantiert, dass dieses Produkt bei normalen Gebrauchs- und Wartungsbedingungen für einen Zeitraum von zwei Jahren (Gestell) bzw. einem Jahr (alle anderen Teile und Komponenten) ab Kaufdatum frei von Material- und Fertigungsfehlern ist. Diese Garantie gilt nur für den ursprünglichen Käufer und nur bei nicht gewerblichem Gebrauch. Die Verpflichtung von Tunturi Fitness unter dieser Garantie ist auf den Austausch beschädigter oder defekter Teil nach Wahl von Tunturi New Fitness beschränkt.

Alle Rücksendungen müssen vorher von Tunturi New Fitness genehmigt werden. Diese Garantie gilt nicht für Schäden an einem Produkt, die durch den Transport, missbräuchliche Verwendung, Missbrauch, falsche oder abnormale Verwendung oder Eigenreparaturen des Käufers verursacht wurden oder diesen zuzuschreiben sind oder für Produkte, die für gewerbliche oder Mitzwecke verwendet werden. Tunturi New Fitness gibt keine weiteren Garantien außer den oben beschriebenen.

Tunturi New Fitness übernimmt keine Verantwortung oder Haftung für indirekte, besondere oder Folgeschäden, die sich aus und in Verbindung mit der Verwendung oder Leistung des Produkts ergeben, oder für andere Schäden in Bezug auf wirtschaftliche Verluste, Eigentumsverlust, entgangene Umsätze oder Gewinne, entgangenen Genuss oder entgangene Nutzung, Kosten der Beseitigung, Installation oder andere Folgeschäden jeglicher Art.

Die hierunter angegebene Garantie ersetzt alle anderen Garantien. Alle stillschweigenden Garantien der Marktgängigkeit oder Eignung für einen bestimmten Zweck sind in Umfang und Dauer auf die hierin angegebene Laufzeit beschränkt.

Ihre gesetzlichen Rechte werden davon nicht beeinflusst.

Tragkraft und Abmessung

(Fig. W#1)

- Maximales Ladegewicht: 300 kg.
- Abmessungen im montierten Zustand: 112x 202x 220 cm.

Haftungsausschluss

© 2020 Tunturi New Fitness BV
Alle Rechte vorbehalten.

- Produkt und Handbuch können geändert werden.
- Die technischen Daten können ohne Vorankündigung geändert werden.
- Auf unserer Website finden Sie die neueste Version des Benutzerhandbuchs.

Français

Ce manuel français est une traduction de la version anglaise. Notez que la version anglaise est en tête dans le contenu lorsque des différences sont trouvées.

Indice

Bienvenue	19
importants de sécurité	19
Informations importantes concernant l'assemblage	20
Avant de commencer	20
Illustration de description A	20
Illustration de description B	20
Illustration de description C	20
Illustration de description D	20
Serrer les écrous et les boulons/vis	20
Dégagement (Fig. D-0)	20
Informations supplémentaires	20
Conseils d'entraînement	21
Structuration musculaire et gain de poids.	21
Force musculaire et endurance	21
Intensité de l'entraînement	21
Commencer un programme de structuration musculaire	21
Nettoyage et maintenance	21
Défauts et dysfonctionnements	21
Garantie	22
Garantie limitée	22
Charge et dimensions	22
Limite de responsabilité	22

Bienvenue

Bienvenue dans l'univers de Tunturi Fitness !
 Merci pour votre achat de cet élément d'équipement Tunturi.
 Tunturi offre toute une gamme d'équipements de fitness professionnels, notamment des vélos elliptiques, tapis de course, vélos d'appartement, rameurs, bancs de musculation, multi stations et accessoires. Les équipements Tunturi sont parfaits pour toute la famille, quel que soit le niveau de forme de ses membres. Pour en savoir plus, visitez notre site Web www.tunturi.com

Consignes de sécurité importantes

Ce Manuel est un élément essentiel de votre équipement d'entraînement : veuillez lire toutes les instructions qu'il contient avant de commencer à utiliser cet équipement. Les consignes suivantes doivent toujours être respectées :

importants de sécurité

Cet appareil de musculation est conçu pour garantir une sécurité optimale. Toutefois, certaines précautions doivent être respectées chaque fois que vous utilisez un élément de cet équipement de musculation. Assurez-vous d'avoir lu l'intégralité du manuel avant d'assembler ou d'utiliser votre machine. Veuillez noter en particulier les précautions de sécurité suivantes :

- Veillez à éloigner les enfants et animaux de la machine à tout moment. **VEILLES A NE PAS LAISSER** les enfants sans surveillance dans la pièce où se trouve la machine.
- La machine ne doit être utilisée que par une seule personne à la fois.
- Si l'utilisateur ressent des étourdissements, éprouve des nausées, des douleurs pectorales ou tout autre symptôme anormal, il **DOIT ARRÊTER** l'entraînement sans attendre et **CONSULTER UN MÉDECIN SANS DÉLAI**.
- Placez l'appareil sur une surface aussi plane et dégagée que possible. **N'UTILISEZ PAS** la machine près de l'eau ou à l'extérieur.
- Veillez à éloigner vos mains et vos pieds de toute pièce en mouvement.
- Portez toujours des vêtements de sport adaptés lors des exercices **VEILLES A NE PAS PORTER** de robes ou autre vêtement qui pourrait se prendre dans la machine. Des chaussures de sport ou d'aérobic sont également requises lors de l'utilisation de la machine.
- Utilisez la machine uniquement pour l'usage auquel elle est destinée et qui est décrit dans le présent manuel. **N'UTILISEZ PAS** de fixations non recommandées par le fabricant.
- Ne placez aucun objet tranchant à proximité de la machine.
- Les personnes handicapées ne doivent pas utiliser l'équipement.
- Avant d'utiliser la machine, effectuez toujours auparavant des étirements pour vous échauffer correctement.
- N'utilisez jamais la machine si celle-ci ne fonctionne pas correctement.
- Il est recommandé d'effectuer les exercices sous la vigilance d'une autre personne.
- Cette machine est conçue et destinée à la pratique de la musculation à domicile et privée uniquement, pas à un usage à des fins commerciales.

Avertissement:

Avant d'entamer un programme d'exercices, consultez votre médecin. Ceci s'adresse particulièrement aux personnes de plus de 5 ans ou celles qui présentent des problèmes de santé pré-existants. Lisez toutes les instructions avant d'utiliser n'importe quel équipement de musculation. Tunturi New Fitness bv décline toute responsabilité quant aux blessures aux personnes ou aux dommages aux biens du fait ou découlant de l'utilisation de ce produit.

Gardez ces instructions en lieu sûr!

Informations importantes concernant l'assemblage

Avant de commencer

Nous vous recommandons d'utiliser deux clés à molette pour le montage de votre produit. Si vous avez des clés métriques de la bonne dimension, cela convient également.

REMARQUE

- Les clés (à molette) appropriées NE SONT PAS fournies avec le produit ni incluses dans le kit de montage.
- Il est fortement recommandé de faire assembler cet équipement par deux personnes ou plus afin d'éviter tout accident/blessure.

Illustration de description A

Cette illustration montre ce à quoi le trainer ressemblera une fois le montage terminé.

Vous pouvez l'utiliser au titre de référence lors du montage mais suivez bien les étapes de montage dans l'ordre indiqué tel que les illustrations le montrent.

Illustration de description B

Cette illustration montre les composants et les pièces que vous devez trouver après avoir déballé le produit.

REMARQUE

- Les petites pièces peuvent être cachées/rangées dans des espaces de la protection en polystyrène du produit.
- Si une pièce manque, contactez votre revendeur.

Illustration de description C

Cette illustration montre le kit de quincaillerie fourni avec le produit. Le kit de quincaillerie contient des boulons, des rondelles, des vis, des écrous, etc. ainsi que les outils vous permettant d'installer correctement votre trainer.

Illustration de description D

Ces illustrations vous indiquent l'ordre de montage correct pour monter votre trainer.

REMARQUE

- Les numéros des pièces indiqués lors des étapes de montage commencent par le dessin des pièces que vous trouverez dans la version complète du manuel disponible en ligne.

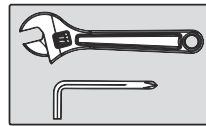
AVERTISSEMENT

- Assemblez l'équipement dans l'ordre indiqué.
- Deux personnes au moins sont nécessaires pour transporter et déplacer l'équipement.

PRÉCAUTION

- Placez l'équipement sur une surface plane et ferme.
- Placez l'équipement sur une base protectrice pour éviter d'endommager la surface du sol.
- Consultez les illustrations pour l'assemblage correct de l'équipement.

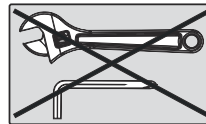
Serrer les écrous et les boulons/vis



Serrez fermement tous les écrous et vis après que tous les composants aient été assemblés au cours des étapes actuelles et précédentes.

NOTE

- Ne pas serrer excessivement les composants présentant une fonction pivotante.
- Assurez-vous que tous les composants mobiles pivotent sans entrave.



Ne pas serrer les écrous et les vis/boulons à cette étape.

Dégagement (Fig. D-0)

L'utilisation exige un espace suffisant.

Le dégagement doit être supérieur d'au moins 0,6 m à la *zone d'entraînement dans toutes les directions d'accès à l'équipement. Le dégagement doit également inclure l'espace suffisant pour effectuer un démontage d'urgence. Lorsque les équipements sont placés les uns à côté des autres, le dégagement peut être partagé.

*La zone d'entraînement correspond aux valeurs maximales de la longueur/largeur/hauteur de l'appareil, y compris les parties mobiles, mesurée aux valeurs maximales de la longueur/largeur/hauteur en cours d'utilisation.

IMPORTANT

Étant donné que votre vélo peut être réglé au cours des premières heures d'utilisation, nous vous recommandons de vérifier rapidement le matériel que vous avez installé pendant le montage. Nous vous conseillons de resserrer tous les boulons et écrous après les premières séances d'entraînement (environ 10 heures). Il suffit de vérifier que les boulons et les écrous sont bien serrés afin de bénéficier des meilleures performances de votre vélo.

NOTE

- Nous recommandons de vérifier régulièrement le matériel, au moins une fois tous les 3 mois.

Informations supplémentaires

Élimination des emballages

Les réglementations gouvernementales nous demandent de réduire la quantité de matériaux déposés dans les décharges. C'est pour cela que nous faisons appel à votre responsabilité et vous demandons de déposer les emballages dans des centres de recyclage publics.

Élimination du produit

Chez Tunturi, nous espérons que vous profiterez longtemps de votre appareil de fitness. Cependant, nous savons bien qu'un jour ou l'autre votre machine arrivera au terme de sa vie utile. Selon la directive européenne sur les DEEE, vous êtes responsable de vous séparer correctement de votre appareil de fitness en le déposant dans un site public agréé de récupération des déchets.

Conseils d'entraînement

Structuration musculaire et gain de poids.

A la différence des exercices aérobies, qui mettent l'accent sur l'amélioration de l'endurance, les exercices anaérobies se concentrent sur le développement musculaire. Un gain de poids graduel peut se produire en développant la taille et la force des muscles. En développant la masse musculaire, votre corps s'adapte au stress auquel il est soumis. Vous pouvez modifier votre régime pour inclure des aliments tels que viandes, poissons et légumes. Ces aliments aident les muscles à récupérer et reconstituer les nutriments importants après un exercice éprouvant.

Force musculaire et endurance

Pour tirer le meilleur parti des exercices, il est important de développer un programme d'exercices vous permettant de travailler tous les groupes musculaires majeurs de manière égale. Pour augmenter la force musculaire, suivez ce principe : augmenter la résistance et garder le même nombre de répétitions d'un exercice permet d'augmenter la force musculaire. Pour tonifier votre corps, suivez ce principe: diminuer la résistance et augmenter la cadence de répétitions d'un exercice permet d'augmenter la tonicité du corps. Une fois que vous vous êtes bien habitué à un exercice, vous pouvez modifier la résistance, la cadence de répétition ou la vitesse à laquelle vous effectuez l'exercice. Il n'est pas nécessaire de modifier les trois variables. Par exemple, supposons que vous vous entraînez avec 10 kg. et effectuez l'exercice 10 fois en 3 minutes. Lorsque celui-ci devient trop facile, vous pouvez envisager de passer à un levage de 12 kg. pour le même nombre de répétitions pendant la même période de temps. Lever plus de poids moins de fois développe le plus souvent la force musculaire. Pour gagner à la fois en force musculaire et en endurance, il est recommandé d'effectuer chaque exercice 15 à 20 fois par série.

Intensité de l'entraînement

Le niveau auquel vous commencez à vous entraîner dépend de votre niveau général de forme. Les douleurs éprouvées peuvent être atténuées en réduisant la charge que vous faites supporter à vos muscles et en effectuant moins d'exercices. Pour éviter les blessures, vous devez appliquer graduellement votre programme d'exercices et régler la charge à votre niveau personnel de forme. La charge doit augmenter à mesure que votre niveau de forme augmente. Les douleurs musculaires sont chose courante, spécialement lorsque vous commencez à vous exercer. Si vous éprouvez durablement des douleurs, il peut être temps de modifier votre programme. Au final, votre système musculaire s'habitue aux contraintes qu'il subit.

Commencer un programme de structuration musculaire

Échauffement

Pour commencer l'entraînement musculaire, il est important de s'étirer et d'effectuer des exercices faciles entre 5 et 10 minutes. Cela aide à préparer le corps à des exercices plus contraignants en augmentant la circulation, ce qui fait monter votre température corporelle et oxygène mieux vos muscles.

Entraînement

Il faut se rappeler que pour chaque exercice, les douleurs musculaires qui durent pendant une très longue période ne sont pas souhaitables et peuvent causer des lésions.

Récupération

A la fin de chaque exercice, effectuez des étirements lents entre 5 et 10 minutes. Relâchez-vous entre chaque étirement et en l'effectuant aussi loin que vous le pouvez. Cette étape permet d'oxygéner vos muscles après l'entraînement. Pour un programme d'exercice complet, il est également recommandé d'effectuer 2 à 3 jours d'exercices aérobies en plus de l'entraînement pour le développement musculaire.

Boire de l'eau

Pour que le corps fonctionne correctement, il doit être correctement hydraté. Si vous faites des exercices, vous devez augmenter votre consommation de liquides. La raison est que l'eau que vous absorbez sera éliminée par la transpiration qui refroidit votre organisme durant les exercices. L'eau que vous perdez du fait des exercices doit être remplacée pour que les muscles puissent récupérer correctement.

Jours de repos

Bien que vous puissiez ne pas en avoir envie, il est important de prendre un jour de repos au moins une fois par semaine car cela permet à votre corps de se régénérer. Faire travailler vos muscles continuellement conduira à un surentraînement qui ne vous apportera aucun bénéfice à long terme.

Nettoyage et maintenance

- Lubrifiez périodiquement les parties mobiles avec de la wd-40 ou de l'huile légère.
- Contrôlez et resserrez tous les éléments avant d'utiliser cet équipement.
- La machine se nettoie à l'aide d'un chiffon humide et de produit détergent doux et non-abrasif. N'utilisez pas de solvants.
- Examinez l'équipement régulièrement pour détecter tous dommages ou signes d'usure.
- Remplacez les éléments défectueux sans délai et/ou n'utilisez pas l'équipement jusqu'à réparation.
- Le fait de négliger l'examen régulier de l'équipement peut compromettre le niveau de sécurité de celui-ci.

Défauts et dysfonctionnements

Malgré un contrôle continu de la qualité, des défauts ou des dysfonctionnements peuvent être occasionnés par des composants individuels. La plupart du temps, il vous suffit de remplacer la pièce défectueuse.

- Si l'équipement ne fonctionne pas correctement, contactez immédiatement le revendeur.
- Fournissez le numéro de modèle et le numéro de série de l'équipement au revendeur. Mentionnez la nature du problème, les conditions d'usage et la date d'achat.

Si vous souhaitez obtenir des données de contact ou des manuels de produit dans une autre langue, veuillez vous rendre sur nos sites internet:

Garantie

Garantie du propriétaire d'un équipement de Tunturi

Conditions de garantie

Le consommateur est protégé par la législation en vigueur concernant le commerce des biens de consommation. Cette garantie ne limite pas ces droits. La Garantie de l'acheteur n'est valide que si le produit est utilisé dans l'environnement préconisé par la société Tunturi New Fitness BV, et est conservé tel que cela est indiqué pour cet équipement donné. L'environnement approuvé spécifique au produit et les instructions d'entretien sont indiqués dans le « manuel d'utilisation » du produit. Le « manuel d'utilisation » peut être téléchargé sur notre site Web. <http://manuals.tunturi.com>

Garantie limitée

Tunturi New Fitness garantit que ce produit est exempt de défauts dans sa qualité et ses matériaux, dans le cas d'une utilisation et de conditions de service normaux, pour une période de deux ans pour le châssis et d'un an pour toutes les autres pièces et composants et ce à compter de la date d'achat. Cette garantie ne s'applique qu'à l'acheteur original et est valable uniquement dans le cas d'un usage domestique. L'obligation de Tunturi New Fitness aux termes de cette garantie se limite au remplacement des pièces endommagées ou défectueuses à la discrétion de Tunturi New Fitness.

Tout retour doit être au préalable autorisé par Tunturi New Fitness. Cette garantie ne s'applique pas aux produits ou aux dommages à un produit causés par ou attribuables à des dégâts lors du transport, un abus, une mauvaise utilisation ou une utilisation anormale, ni aux réparations effectuées par l'acheteur ou encore aux produits utilisés à des fins commerciales ou de location.

Aucune autre garantie que celle précisée ci-dessus n'est autorisée par Tunturi New Fitness.

Tunturi New Fitness n'assume aucune responsabilité pour les dommages indirects, spéciaux ou consécutifs survenant du fait de ou en relation avec l'utilisation ou la performance du produit ou pour tout autre dommage relatif à une perte économique, une perte de propriété, un manque-à-gagner, une perte des bénéfices ou une utilisation réduite, des coûts de démontage, d'installation ou autre dommage consécutif de quelque nature que ce soit

La garantie étendue ci-après s'applique en lieu et place des autres garanties et toutes les autres garanties de qualité marchande et de compatibilité à des fins particulières sont limitées dans leur champ d'application et leur durée aux termes définis dans le présent document.

Vos droits légaux ne sont pas affectés.

Charge et dimensions

(Fig. W#1)

- Poids maximum charge : 300 kg.
- Dimensions assemblé : 112x 202x 220 cm.

Limite de responsabilité

© 2020 Tunturi New Fitness BV

Tous les droits réservés.

- Le produit et le manuel sont sujets à modifications.
- Les spécifications peuvent changer sans préavis.
- Consultez notre site Web pour obtenir la dernière version du manuel d'utilisation.

Nederlands

Deze Nederlandse handleiding is een vertaling van de Engelse tekst. Aan deze vertaling kunnen geen rechten ontleend worden. De originele Engelse tekst blijft leidend.

Inhoud

Welkom.....	23
Belangrijke veiligheidsinstructie.....	23
Belangrijke montage-informatie	24
Voor u begint	24
Beschrijving afbeelding A	24
Beschrijving afbeelding B.....	24
Beschrijving afbeelding C	24
Beschrijving afbeelding D	24
Bouten en moeren aandraaien.....	24
Vrije ruimte (Fig. D-0)	24
Aanvullende informatie	24
Richtlijnen voor oefeningen.....	25
Spierontwikkeling en gewichtstoename.....	25
Spierkracht en uithoudingsvermogen	25
Trainingsintensiteit	25
Beginnen met een krachttraining programma	25
Reiniging en onderhoud	25
Defecten en storingen.....	25
Garantie.....	25
Beperkte garantie.....	26
Maximale belasting en afmetingen.....	26
Disclaimer	26

Welkom

Welkom in de wereld van Tunturi Fitness!

Hartelijk dank voor uw aankoop van dit Tunturi-toestel. Tunturi biedt een grote verscheidenheid aan professionele toestellen zoals crosstrainers, loopbanden, fietstrainers, roeimachines, krachtbanken, multistations en accessoires. Het Tunturi-toestel is geschikt voor de hele familie, onafhankelijk van de conditie. Meer informatie vindt u op de website www.tunturi.com

Belangrijke Informatie

Deze handleiding is een essentieel onderdeel van uw trainingsapparatuur. Lees alle instructies in deze handleiding voordat u de apparatuur in gebruik neemt. De volgende voorzorgsmaatregelen moeten altijd in acht worden genomen:

Belangrijke veiligheidsinstructie**Vorzorgsmaatregelen**

Dit fitnessapparaat is ontworpen voor optimale veiligheid.

Neem echter bepaalde voorzorgsmaatregelen in acht wanneer u fitnessapparatuur gebruikt. Lees de volledige handleiding voordat u het apparaat gaat monteren of gebruiken. Let met name op de volgende veiligheidsinstructies:

- Houd kinderen en huisdieren te allen tijde uit de buurt van het apparaat. Laat kinderen NOOIT zonder toezicht in dezelfde ruimte als het apparaat.
- Het apparaat mag door slechts één persoon per keer worden gebruikt.
- Als de gebruiker last krijgt van duizeligheid, misselijkheid, pijn op de borst of enige andere abnormale symptomen, dient de oefening direct te worden gestaakt. NEEM ONMIDDELIJK CONTACT OP MET EEN ARTS.
- Plaats het apparaat op een vlak oppervlak. Gebruik het apparaat NIET buitenshuis of in de buurt van water.
- Houd handen uit de buurt van de bewegende delen.
- Draag tijdens de training altijd geschikte sportkleding. Draag GEEN lange kamerjas of andere kleding die vast kan komen te zitten. Draag tijdens de oefeningen hardloop- of aerobicschoenen.
- Dit apparaat is alleen bedoeld voor het gebruik zoals beschreven in deze handleiding. Gebruik alleen accessoires aanbevolen door de fabrikant.
- Plaats geen scherpe objecten in de buurt van het apparaat.
- Gehandicapte of minder valide personen mogen het apparaat alleen gebruiken onder toezicht van een gekwalificeerde persoon of arts.
- Voer voordat u het apparaat gaat gebruiken strek oefeningen uit als warming-up.
- Gebruik het apparaat niet als het niet naar behoren functioneert.
- Tijdens oefeningen wordt de aanwezigheid van een spotter aangeraden.
- Steek de gewichtselector-pen niet in de platen wanneer de gewichtenkolom of de bovenste plaat in de hoogste positie staat.
- Controleer of de gewichtselector-pen helemaal in de gewichtplaten is gestoken.
- Gebruik nooit dumbbells of andere accessoires om de weerstand te verhogen. Gebruik alleen gewichtplaten geleverd door de fabrikant.
- Dit apparaat is ontworpen en bedoeld voor thuisgebruik en niet voor commerciële doeleinden.

Waarschuwing:

Raadpleeg eerst uw arts voordat u aan een Trainingsprogramma begint. Dit is met name belangrijk voor personen Ouder dan 35 of personen met bepaalde gezondheidsklachten. Lees alle Instructies voordat u fitnessapparatuur gebruikt. Tunturi New fitness bv is Niet aansprakelijk voor persoonlijk letsel of schade aan eigendommen Veroorzaakt door of ten gevolge van het gebruik van dit product.

Bewaar deze instructies goed!

Belangrijke montage-informatie

Voor u begint

Wij raden u aan twee verstelbare steeksleutels te gebruiken om het toestel in elkaar te zetten. Als u steeksleutels in de juiste maat heeft is dit ook prima.

⚠ OPMERKING

- Geschikte (verstelbare) steeksleutels worden NIET meegeleverd bij het toestel en zitten ook niet in de montageset.
- Voorkom letsel en monteer dit apparaat met twee of meer personen.

Beschrijving afbeelding A

De illustratie laat zien hoe de trainer er na de montage uitziet. U kunt dit als referentie gebruiken tijdens de montage, maar volg de montageschappen altijd in de juiste volgorde, zoals aangegeven op de afbeeldingen.

Beschrijving afbeelding B

De illustratie laat zien welke componenten en onderdelen er in uw pakket moeten zitten.

⚠ OPMERKING

- Kleine onderdelen kunnen soms enigszins verborgen verpakt zitten in holle ruimtes in het beschermende piepschuimmateriaal om het product.
- Raadpleeg uw dealer als een onderdeel ontbreekt.

Beschrijving afbeelding C

De afbeelding toont de hardwarekit die bij uw product wordt geleverd.

De hardwarekit bevat bouten, ringen, schroeven, moeren etc. en het benodigde gereedschap om uw trainer op de juiste manier te monteren.

Beschrijving afbeelding D

Op de afbeeldingen staat aangegeven in welke volgorde de trainer moet worden gemonteerd.

⚠ OPMERKING

- De artikelnummers die in de montageschappen worden weergegeven, beginnen met de onderdelentekening die in de online versie van de volledige gebruikershandleiding te vinden is.

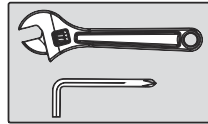
⚠ WAARSCHUWING

- Monteer het apparaat in de aangegeven volgorde.
- Draag en verplaats het toestel met minstens twee personen.

⚠ VOORZICHTIG

- Zet het toestel op een stevige, vlakke ondergrond.
- Zorg voor een beschermende laag onder het toestel om schade aan het vloeroppervlak te voorkomen.
- Raadpleeg de illustraties voor de juiste assemblage van het toestel.

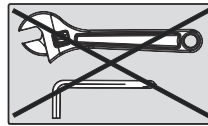
Bouten en moeren aandraaien



Draai de bouten en moeren pas aan nadat alle componenten zijn gemonteerd.

⚠ LET OP

- Componenten die moeten kunnen scharnieren, mogen niet te strak worden aangedraaid.
- Alle scharnierende componenten moeten vrij kunnen bewegen.



Draai de bouten en moeren in deze stap niet aan.

Vrije ruimte (Fig. D-0)

Een voorwaarde voor gebruik is dat er voldoende ruimte is.

Deze vrije ruimte moet ten minste 0,6 m groter zijn dan de trainingsruimte* vanuit de richtingen waar men het apparaat wilt opstappen.

De vrije ruimte moet ook ruimte overlaten om bij nood van de band te stappen. Indien apparaten naast elkaar zijn opgesteld, kan het oppervlak van de vrije ruimte worden gedeeld.

*De trainingsruimte is de maximale lengte/breedte/hoogte van de trainer, inclusief bewegende delen, gemeten volgens de maximale lengte/breedte/hoogte tijdens gebruik.

BELANGRIJK

Omdat de onderdelen van uw trainer zich in de eerste gebruiksuren nog zullen (kunnen) verschuiven, raden wij u aan een snelle controle uit te voeren van de hardware die u tijdens de montage hebt aangebracht.

Wij raden aan alle bouten en moeren na de eerste paar trainingssessies (ongeveer 10 uur) opnieuw aan te draaien. Dit om er zeker van te zijn dat de bouten en moeren nog goed vastzitten en zo voor optimale prestaties van uw trainer zorgen.

⚠ LET OP

Wij raden aan de hardware regelmatig te controleren, minstens om de 3 maanden.

Aanvullende informatie

Afvoeren van verpakkingsmateriaal

Overheids-richtlijnen geven aan dat we de hoeveelheid afvalmateriaal afgevoerd naar stortplaatsen moeten verminderen. Daarom vragen we u al het afvalmateriaal op verantwoordelijke wijze af te voeren naar openbare recycling-centra.

Verwijdering aan het eind van de levensduur.

We hopen dat u jarenlang plezier hebt van uw fitnessapparaat. Er komt echter een moment waarop het fitnessapparaat het eind van de bruikbare levensduur heeft bereikt. Onder de Europese AEEA-wetgeving bent u verantwoordelijk voor het op de juiste wijze afvoeren van uw fitnessapparaat naar een erkend openbaar inzamelpunt.

Richtlijnen voor oefeningen

Spierontwikkeling en gewichtstoename

In tegenstelling tot aerobicsoefeningen, waarbij de nadruk ligt op uithoudingsvermogen, zijn anaerobicsoefeningen gericht op krachttraining. Wanneer u uw spieren traint, neemt u mogelijk iets toe in gewicht. Tijdens het ontwikkelen van spiermassa past uw lichaam zich aan de belasting aan. U kunt uw voedingspatroon wijzigen en bijvoorbeeld extra vlees, vis en groenten toevoegen. Deze voedingsmiddelen helpen bij het herstel van de spieren en vullen belangrijke voedingsstoffen aan na een zware workout.

Spierkracht en uithoudingsvermogen

Een oefening levert het beste resultaat op als u zich aan een trainingsprogramma houdt waarbij alle grote spiergroepen met dezelfde intensiteit worden getraind. Als u uw spierkracht wilt verbeteren, houdt u zich aan dit principe: het verhogen van de weerstand in combinatie met hetzelfde aantal herhalingen van een oefening leidt tot sterkere spieren. Als u uw lichamelijke conditie wilt verbeteren, houdt u zich aan dit principe: het verlagen van de weerstand en het verhogen van het aantal herhalingen van een oefening leidt tot een betere lichamelijke conditie. Wanneer een oefening makkelijk wordt voor u, kunt u de weerstand, het aantal herhalingen of de snelheid verhogen waarmee u de oefening uitvoert. U hoeft niet alle drie de variabelen te veranderen. Stel u traint met 10 kg. en voert de oefening tien keer uit in drie minuten. Wanneer dit te makkelijk wordt, kunt u het gewicht bijvoorbeeld verhogen naar 12 kg. voor hetzelfde aantal oefeningen in dezelfde tijd. Het tillen van meer gewicht in minder tijd vergroot doorgaans de spierkracht. Als u niet alleen uw spierkracht maar ook uw uithoudingsvermogen wilt verbeteren, wordt u aangeraden elke oefening 15 tot 20 keer uit te voeren per set.

Trainingsintensiteit

Hoe hard u begint met trainen, is afhankelijk van uw algehele conditie. U kunt de pijn die u ervaart, verminderen door uw spieren minder te belasten en minder sets uit te voeren. Voorkom letsel door geleidelijk aan te beginnen met een trainingsprogramma en de belasting aan te passen aan uw algehele conditie. Wanneer uw conditie verbetert, kunt u de druk opvoeren. Spierpijn is heel gewoon, vooral wanneer u pas net begint met trainen. Als u echter lang last hebt van spierpijn, moet u het programma mogelijk aanpassen. Uw spieren zullen uiteindelijk gewend raken aan de belasting.

Beginnen met een krachttraining programma

Warming-up

Voordat u begint met een krachttraining, moet u vijf tot tien minuten strekoefeningen en andere lichte oefeningen doen. Zo wordt de bloedsomloop verbeterd, wordt uw lichaamstemperatuur verhoogd en wordt meer zuurstof naar uw spieren getransporteerd als voorbereiding op de zwaardere oefeningen.

Workout

Houd bij elke workout in gedachten dat angaanhoudende spierpijn ongewenst is en kan betekenen dat u een blessure hebt opgelopen.

Cooling-down

Doe aan het eind van elke workout vijf tot tien minuten lang langzame strekoefeningen. Strek nooit zo ver dat het pijn doet. In deze fase van de training kunnen uw spieren ontspannen. Het wordt aangeraden in een volledig trainingsprogramma ook twee of drie dagen aerobicsoefeningen te doen naast de krachttraining.

Water drinken

Uw lichaam kan alleen goed functioneren als u voldoende water drinkt. Drink dus meer water wanneer u traint. Het water dat u drinkt, wordt namelijk uitgescheiden via het zweet dat het lichaam produceert om koel te blijven tijdens het trainen. Het water dat u zo verliest, moet worden aangevuld zodat de spieren goed kunnen herstellen.

Rustdag

Het nemen van een rustdag eenmaal per week is belangrijk omdat uw lichaam zo de kans krijgt om te herstellen. Het constant trainen van de spieren kan leiden tot overbelasting.

Reiniging en onderhoud

- Smeer bewegende onderdelen regelmatig met wd-40 of lichte olie.
- Inspecteer en draai alle onderdelen aan voordat u het apparaat gebruikt.
- Maak het apparaat schoon met een doek bevochtigd met een mild, niet-schurend schoonmaakmiddel. Gebruik geen oplosmiddelen.
- Controleer het apparaat regelmatig op tekenen van slijtage of beschadiging.
- Vervang defecte componenten direct en/of stel het apparaat buiten gebruik tot het is gerepareerd.
- Indien het apparaat niet regelmatig wordt gecontroleerd, kan het gebruik ervan onveilig worden.

Defecten en storingen

Ondanks voortdurende kwaliteitscontrole kan het gebeuren dat het toestel door individuele onderdelen defect is of niet goed werkt. In de meeste gevallen zal het voldoende zijn om het defecte onderdeel te vervangen.

- Als het toestel niet goed werkt, neem dan onmiddellijk contact op met de dealer.
- Geef het modelnummer en serienummer van het toestel op aan de dealer. Vertel wat de aard van het probleem is, hoe het toestel wordt gebruikt en wanneer u het toestel heeft gekocht.

Ga voor contactgegevens en producthandleidingen in andere talen naar onze websites:

Garantie

Garantie voor eigenaars van Tunturi trainingsapparatuur

Garantievoorwaarden

De consument heeft recht op de geldende wettelijke rechten met betrekking tot de handel in consumptiegoederen die worden vermeld in de nationale wet- en regelgeving. Deze garantie zal deze rechten niet beperken. De garantie voor de eigenaar geldt alleen wanneer het apparaat wordt gebruikt in een door Tunturi New Fitness BV voor dat specifieke apparaat toegestane omgeving en wordt onderhouden volgens de aanwijzingen. De goedgekeurde omgeving en onderhoudsinstructies voor het product staan vermeld in de "gebruikershandleiding" van het product. De "gebruikershandleiding" kan worden gedownload van onze website. <http://manuals.tunturi.com>

Beperkte garantie

Tunturi New Fitness garandeert dat dit product, bij normaal gebruik en onderhoud, vrij is van defecten in materiaal en fabricage voor een periode van twee jaar op het frame en één jaar op alle andere onderdelen en componenten na de datum van aankoop. Deze garantie geldt alleen voor de oorspronkelijke koper en geldt alleen voor thuisgebruik. De aansprakelijkheid van Tunturi New Fitness onder deze garantie is beperkt tot het vervangen van beschadigde of defecte onderdelen, zulks uitsluitend ter beoordeling door Tunturi New Fitness.

Alle retourzendingen moeten vooraf worden geautoriseerd door Tunturi New Fitness. Deze garantie is niet toepasbaar voor een product of schade aan een product ten gevolge van het transport, misbruik, verkeerd of oneigenlijk gebruik, eigen reparaties door de koper of voor producten gebruikt voor commerciële doeleinden of verhuurdoeleinden.

Enkel de bovengenoemde specifieke garanties zijn goedgekeurd door Tunturi New Fitness.

Tunturi NewFitness is niet verantwoordelijk of aansprakelijk voor bijzondere, indirecte of gevolgschade die voortkomt uit of verband houdt met het gebruik of de prestaties van het product of andere schade met betrekking tot verlies van eigendom of kapitaal, winstderving of inkomstenverlies, gebruiks- of genotsderving, kosten voor verwijdering, installatie of andere gevolgschade van welke aard dan ook.

Bovenbedoelde garantie komt in de plaats van alle overige garanties. Het bereik en de duur van alle impliciete garanties van verkoopbaarheid en geschiktheid voor een bepaald doel zijn beperkt tot de voorwaarden beschreven in dit document.

Uw wettelijke rechten worden niet beïnvloed door deze voorwaarden.

Maximale belasting en afmetingen

(Fig. W#1)

- Maximum belasting gewicht : 300 kg.
- Afmetingen na montage: 112x 202x 220 cm.

Disclaimer

© 2020 Tunturi New Fitness BV
Alle rechten voorbehouden.

- Het product en de handleiding zijn aan veranderingen onderhevig.
- Specificaties kunnen zonder verdere kennisgeving worden veranderd.
- Raadpleeg onze website voor de meest recente versie van de gebruikershandleiding.

Italiano

Questo manuale in lingua italiana è una traduzione dalla versione originale del manuale in lingua inglese.
Non si possono trarre diritti di traduzione dalla presente traduzione.

Indice

Benvenuti27

Avviso importante sulla sicurezza.....27

Informazioni importanti sull’assemblaggio27

Prima di iniziare27

Illustrazione di descrizione A.....28

Illustrazione di descrizione B.....28

Illustrazione di descrizione C.....28

Illustrazione di descrizione D.....28

Serrare dadi e bulloni.....28

Zona libera (Fig. D-0).....28

Informazioni aggiuntive.....28

Linee guida per gli esercizi28

Sviluppo muscolare e aumento di peso.....28

Forza e resistenza muscolare.....28

Allenamento dell’intensità29

Inizio di un programma di sviluppo della forza29

Pulizia e manutenzione29

Difetti e malfunzionamenti29

Garanzia.....29

Garanzia limitata.....29

Capacità peso e dimensioni30

Dichiarazione di non responsabilità30

Benvenuti

Benvenuti nel mondo di Tunturi Fitness!
Grazie per aver acquistato questo apparecchio Tunturi. Tunturi offre un’ampia gamma di apparecchi per fitness professionale, fra cui crosstrainer, tapis roulant, cyclette, vogatori, panche di forza e multi stazioni. Questo apparecchio Tunturi è adatto per tutta la famiglia, a prescindere dal livello di forma fisica. Per ulteriori informazioni, visitare il sito Web www.tunturi.com

Importanti istruzioni di sicurezza

Questo manuale è una parte essenziale dell’attrezzo da allenamento, si prega di leggere tutte le istruzioni fornite prima di iniziare a utilizzare l’attrezzo. Le seguenti precauzioni devono essere sempre seguite:

Avviso importante sulla sicurezza

Questa attrezzatura per l’esercizio fisico è stata progettata per garantire una sicurezza ottimale. Tuttavia, è necessario applicare alcune precauzioni ogni volta che si utilizza un’attrezzatura per l’esercizio fisico. Assicurarsi di leggere interamente il manuale prima di assemblare o utilizzare l’attrezzatura. In particolare, tenere presente le seguenti precauzioni di sicurezza:

- Mantenere i bambini e gli animali sempre lontani dall’attrezzatura. NON lasciare i bambini senza sorveglianza nella stanza in cui è presente l’attrezzatura.
- L’attrezzatura deve essere utilizzata da una sola persona alla volta.
- Se l’utente presenta stordimenti, nausea, dolori al petto o qualsiasi altro sintomo anomalo, TERMINARE l’allenamento immediatamente. CONSULTARE IMMEDIATAMENTE UN MEDICO. Posizionare l’attrezzatura in una superficie pulita e piana. NON usare l’attrezzatura vicino all’acqua o all’esterno.
- Mantenere le mani lontane da tutte parti in movimento.
- Indossare sempre un abbigliamento appropriato per l’esercizio fisico durante l’allenamento. NON indossare accappatoi o altro tipo di abbigliamento che potrebbe impigliarsi nell’attrezzatura. Quando si utilizza l’attrezzatura è richiesto l’uso di scarpe da corsa o aerobica. Utilizzare l’attrezzatura solo per lo scopo previsto come descritto in questo manuale. NON utilizzare allegati non consigliati dal produttore.
- Non posizionare oggetti appuntiti vicino all’attrezzatura.
- I disabili non devono usare l’attrezzatura.
- Prima di utilizzare l’attrezzatura per l’allenamento, eseguire sempre esercizi di stretching per il riscaldamento.
- Non utilizzare mai l’attrezzatura se non funziona correttamente.
- Durante la sessione di allenamento è consigliata la presenza di un osservatore.
- Questa attrezzatura è stata progettata e pensata solo per l’uso in casa e da parte del consumatore, non per l’uso commerciale.

Avviso:

Prima di iniziare qualsiasi programma di allenamento, consultare il proprio medico. Ciò risulta particolarmente importante per gli individui di età superiore ai 35 anni o per le persone con problemi di salute preesistenti.

Leggere tutte le istruzioni prima di utilizzare una qualsiasi attrezzatura per l’allenamento.

Tunturi New fitness bv. non si assume alcuna responsabilità per ferite personali o per danni alle proprietà causati dal prodotto o dal suo utilizzo.

Conservare queste istruzioni!

Informazioni importanti sull’assemblaggio

Prima di iniziare

Si consiglia di montare il prodotto utilizzando due chiavi regolabili. Vanno bene anche chiavi metriche di dimensioni corrette.

 **NOTA**

- Le chiavi adatte (regolabili) “NON” sono fornite con il prodotto, né incluse nel kit di montaggio.
- È fortemente consigliato che l’assemblaggio di questa attrezzatura venga effettuato da due o più persone per evitare eventuali ferite.

Illustrazione di descrizione A

L'illustrazione mostra l'aspetto del trainer una volta completato l'assemblaggio.

È possibile utilizzarla come riferimento durante l'assemblaggio, ma è importante seguire sempre i passaggi di assemblaggio nella sequenza corretta come illustrato.

Illustrazione di descrizione B

L'illustrazione mostra quali componenti e parti sono presenti al momento del disimballaggio del prodotto.

NOTA

- Le parti di piccole dimensioni potrebbero trovarsi nascoste o infilate in spazi ristretti nella protezione del prodotto in Styrofoam
- Se una parte manca, contattare il rivenditore.

Illustrazione di descrizione C

L'illustrazione mostra il kit di attrezzatura fornito con il prodotto. Il kit di attrezzatura contiene bulloni, rondelle, viti, dadi ecc. e gli strumenti necessari per installare correttamente il trainer.

Illustrazione di descrizione D

Le illustrazioni mostrano di seguito l'ordine corretto con cui assemblare il trainer nel modo migliore.

NOTA

- I numeri delle parti visualizzati nei passaggi dell'assemblaggio iniziano con lo schema delle parti di ricambio presente nel manuale utente della versione completa online.

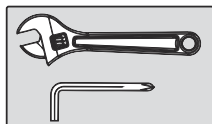
ATTENZIONE

- Assemblare l'apparecchio nell'ordine indicato.
- Per trasportare e spostare l'apparecchio sono necessarie almeno due persone.

AVVISO

- Collocare l'apparecchio su una superficie stabile e in piano.
- Collocare l'apparecchio su una base protettiva per evitare danni alla superficie del pavimento.
- Consultare le illustrazioni per il corretto assemblaggio dell'apparecchio.

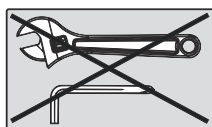
Serrare dadi e bulloni



Fissare saldamente dadi e bulloni una volta che tutti i componenti sono stati assemblati nei passaggi correnti e precedenti.

NOTA

- Non serrare eccessivamente qualsiasi componente avente la funzione di perno.
- Assicurarsi che tutti i componenti siano in grado di muoversi liberamente.



Non fissare tutti i dadi e i bulloni in questo passaggio.

Zona libera (Fig. D-0)

Uno spazio adeguato è un prerequisito per l'uso.

La zona libera non deve essere meno di 0,6 m più dell'area di allenamento* nelle direzioni da cui si accede all'attrezzatura.

La zona libera deve comprendere anche la zona per lo smontaggio di emergenza. Se le apparecchiature sono posizionate l'una accanto all'altra, il valore della zona libera può essere condiviso.

*La zona di allenamento è la lunghezza/larghezza/altezza massima del trainer, comprese le parti mobili, misurata alla lunghezza/larghezza/altezza massima durante l'uso.

IMPORTANTE

Dato che il tuo trainer verrà o potrà essere configurato nelle prime ore di utilizzo, ti consigliamo di fare un rapido controllo sulla minuteria che hai fissato durante il tuo assemblaggio.

Suggeriamo di serrare nuovamente tutti i bulloni e i dadi dopo le prime sessioni di allenamento (circa 10 ore).

Semplicemente per accertarsi che i bulloni e i dadi siano ancora ben serrati e garantire così la migliore prestazione del tuo trainer.

NOTA

Si consiglia di controllare regolarmente la minuteria, almeno una volta ogni 3 mesi.

Informazioni aggiuntive

Smaltimento dell'imballo

Le linee guide governative chiedono di ridurre la quantità di rifiuti smaltiti nelle discariche. Per questo vi chiediamo di smaltire in modo responsabile tutti i rifiuti d'imballo presso dei centri di riciclaggio pubblici.

Smaltimento a fine vita

Noi di Tunturi speriamo che possiate godervi molti anni di piacevole uso dal nostro fitness trainer. Tuttavia, arriverà il momento quando il vostro fitness trainer arriverà alla fine della sua vita utile. Secondo la Legislazione Europea WEEE voi siete responsabili per uno smaltimento appropriato del vostro fitness trainer presso una struttura di raccolta pubblica autorizzata.

Linee guida per gli esercizi

Sviluppo muscolare e aumento di peso

A differenza degli esercizi aerobici, che enfatizzano l'allenamento alla resistenza, gli esercizi anaerobici si focalizzano sull'allenamento della forza. Durante lo sviluppo delle dimensioni e della forza dei muscoli si può verificare un graduale aumento di peso. Mentre si sviluppa la massa muscolare, il corpo si adatta allo stress ricevuto. È possibile modificare la propria dieta includendo cibo come carne, pesce e verdura.

Questo cibo consente il recupero dei muscoli e il reintegro di importanti nutrienti dopo un allenamento intenso.

Forza e resistenza muscolare

Per ottenere i vantaggi migliori dagli esercizi, è importante sviluppare un programma di esercizi che consenta di far lavorare in modo equo tutti i principali gruppi di muscoli.

Per aumentare la forza dei muscoli, seguire questo principio: l'aumento della resistenza e il mantenimento del numero di ripetizioni di un esercizio comporta un aumento della forza muscolare.

Per tonificare il corpo, seguire questo principio: La diminuzione della resistenza e l'aumento del numero di ripetizioni di un esercizio comporta un aumento del tono muscolare.

Una volta che ci si trova a proprio agio con un esercizio, è possibile modificare la resistenza, il numero di ripetizioni o la velocità di esecuzione dell'esercizio. Non è necessario cambiare tutte e tre le variabili. Facciamo l'esempio di un allenamento con 10 kg e con l'esecuzione dell'esercizio per 10 volte in 3 minuti. Quando l'esercizio diventa troppo facile, si potrebbe decidere di iniziare a sollevare 12 kg per lo stesso numero di ripetizioni e nello stesso periodo di tempo. Il sollevamento di un peso maggiore per un tempo minore spesso sviluppa forza muscolare. Per ottenere sia forza che resistenza muscolare, si consiglia di eseguire ciascun esercizio con un numero di ripetizioni da 15 a 20 per serie.

Allenamento dell'intensità

L'intensità dell'allenamento dipende dal proprio livello di fitness complessivo. L'eventuale dolore provato può essere diminuito riducendo il carico sui muscoli ed eseguendo un numero minore di serie.

Per evitare ferite, è necessario lavorare in modo graduale a un programma di esercizi e definire il carico per il proprio livello di forma individuale. Il carico deve essere aumentato assieme all'aumento del livello di forma.

Il dolore muscolare è abbastanza comune, specialmente quando si inizia per la prima volta a eseguire gli esercizi. Se il dolore continua per un lungo periodo, potrebbe essere necessario cambiare programma. Dopo un po', il proprio sistema muscolare si abituerà alla sollecitazione e allo sforzo che riceve.

Inizio di un programma di sviluppo della forza

Riscaldamento

Per iniziare ad allenare la forza, è importante effettuare stretching ed eseguire esercizi leggeri per un periodo da 5 a 10 minuti. Ciò consente di preparare il corpo all'esecuzione di esercizi più intensi aumentando la circolazione, aumentando la temperatura corporea e sviluppando più ossigeno nei muscoli.

Allenamento

Per ciascun allenamento è importante ricordare che non è desiderabile la presenza di un dolore muscolare prolungato, poiché ciò potrebbe significare la presenza di una lesione.

Raffreddamento

Al termine di ciascun allenamento, eseguire esercizi di stretching lenti per 5 - 10 minuti. Eseguire ciascun esercizio di stretching solo per l'intensità sopportata. Ciò consente ai propri muscoli di rilassarsi dopo l'allenamento.

Per ottenere un programma di allenamento totale si consiglia inoltre di eseguire da 2 a 3 giorni di esercizi aerobici in aggiunta all'allenamento della forza.

Assunzione di acqua

Per un funzionamento ottimale, è necessario che il corpo venga idratato in modo corretto. Durante gli esercizi è necessario aumentare l'assunzione di fluidi. Il motivo è che l'acqua assunta uscirà dal sistema attraverso il meccanismo di sudorazione che raffredda il corpo durante gli esercizi. L'acqua persa attraverso gli esercizi deve essere sostituita per consentire un recupero corretto dei muscoli.

Giorno di riposo

Anche se si pensa che potrebbe non essere necessario, prendersi un giorno di riposo almeno una volta alla settimana è importante perché offre al corpo la possibilità di risanarsi. Un allenamento continuo dei muscoli comporterà un sovrallenamento che nel lungo periodo non porterà vantaggio.

Pulizia e manutenzione

- Lubrificare periodicamente le parti in movimento con WD-40 o olio leggero.
- Ispezionare e fissare tutte le parti prima di usare l'attrezzatura.
- L'attrezzatura può essere pulita utilizzando un panno umido e un detergente lieve non abrasivo. NON utilizzare solventi.
- Esaminare regolarmente l'attrezzatura per rilevare la presenza di segni di danneggiamento o usura.
- Sostituire immediatamente i componenti difettosi e/o evitare di utilizzare l'attrezzatura finché non sarà riparata.
- Se l'attrezzatura non viene esaminata regolarmente, ciò potrebbe influire sul livello di sicurezza.

Difetti e malfunzionamenti

Nonostante il costante controllo di qualità, i singoli componenti possono causare difetti e malfunzionamenti all'apparecchio. Nella maggior parte dei casi, è sufficiente sostituire i componenti difettosi.

- Se l'apparecchio non funziona correttamente, contattare immediatamente il rivenditore.
- Fornire il numero di modello e il numero di serie dell'apparecchio al rivenditore. Comunicare la natura del problema, le condizioni d'uso e la data d'acquisto.

Ulteriori informazioni di contatto o manuali utente in altre lingue sono disponibili sul nostro sito Web.

Garanzia

Garanzia dell'attrezzo sportivo Tunturi

Condizioni di garanzia

Il consumatore beneficia dei diritti legali applicabili previsti dalla legislazione nazionale in materia di commercio di beni di consumo. La garanzia non limita tali diritti. La Garanzia dell'acquirente è valida solo se l'articolo viene utilizzato in un ambiente approvato da Tunturi New Fitness BV per quel determinato attrezzo. Le istruzioni relative all'ambiente e di manutenzione specifiche per il prodotto sono riportate nel "manuale utente" del prodotto. Il "manuale utente" può essere scaricato dal nostro sito web. <http://manuals.tunturi.com>

Garanzia limitata

Tunturi New Fitness garantisce che questo prodotto è privo di difetti di costruzione e materiali, in base all'uso e alle condizioni di servizio normali, per un periodo di due anni per il telaio e di un anno per tutte le altre parti e componenti dalla data di acquisto. Questa garanzia si estende solo all'acquirente originale. L'obbligo di Tunturi New Fitness in base alla presente Garanzia è limitato alla sostituzione di parti danneggiate o guaste a discrezione di Tunturi New Fitness.

Tutti i resi devono essere preventivamente autorizzati da Tunturi New Fitness. La presente garanzia non si estende ad alcun prodotto o danno a prodotto causato o attribuibile a danneggiamento per carico, abuso, cattivo utilizzo, uso improprio o anomalo, riparazioni autonome da parte dell'acquirente o a prodotti utilizzati per scopi commerciali o di noleggio. Tunturi New Fitness non autorizza alcuna altra garanzia oltre a quella indicata sopra.

Tunturi New Fitness non è responsabile né si assume alcun obbligo per danni indiretti, speciali o consequenziali derivanti dall'uso o dalle prestazioni del prodotto, o ad essi connessi, o altri danni in relazione a qualsiasi perdita economica, perdita di proprietà, perdita di entrate o profitti, perdita di godimento o uso, costo di rimozione, installazione o altri danni consequenziali o di qualsiasi altra natura.

La garanzia qui esposta sostituisce qualsiasi altra garanzia, mentre qualsiasi garanzia implicita di commerciabilità o idoneità per uno scopo particolare è limitata nel proprio ambito e durata ai termini qui indicati.

Ciò non influisce sui propri diritti legali.

Capacità peso e dimensioni

(Fig. W#1)

- Peso massimo del carico : 300 kg.
- Dimensioni assemblaggio: 112x 202x 220 cm.

Dichiarazione di non responsabilità

© 2020 Tunturi New Fitness BV
Tutti i diritti riservati.

- Il prodotto e il manuale sono soggetti a modifiche.
- Le specifiche tecniche possono essere modificate senza preavviso.
- Vedere il nostro sito Web per la versione del manuale più recente.

Español

Este manual español es una traducción del texto inglés. No se pueden derivar derechos de esta traducción. El texto original en inglés prevalecerá.

Índice

¡Bienvenido	31
Aviso importante de seguridad	31
Información importante sobre montaje	32
Antes de empezar	32
Descripción de la ilustración A.....	32
Descripción de la ilustración B.....	32
Descripción de la ilustración C.....	32
Descripción de la ilustración D.....	32
Apriete de tuercas y tornillos	32
Zona libre (Fig. D-0)	32
Información adicional.....	32
Indicaciones para los ejercicios.....	33
Fortalecimiento de los músculos y aumento de peso.....	33
Fuerza y resistencia de los músculos.....	33
Intensidad del entrenamiento	33
Inicio de un programa de fortalecimiento muscular	33
Limpieza y mantenimiento.....	33
Defectos y fallos	34
Garantía	34
Garantía limitada	34
Peso máximo admisible y dimensiones.....	34
Descargo de responsabilidad	34

¡Bienvenido

¡Bienvenido al mundo de Tunturi Fitness!

Le agradecemos la compra de esta máquina Tunturi. Tunturi ofrece una amplia gama de máquinas de fitness profesionales como bicicletas elípticas, cintas de correr, bicicletas de ejercicio, bancos de fuerza y estaciones múltiples. La máquina Tunturi es adecuada para toda la familia, independientemente del nivel de forma física. Si desea información adicional, visite nuestro sitio web www.tunturi.com

Información y precauciones

Este manual es una parte esencial del equipo de entrenamiento. Lea todas las instrucciones de este manual antes de comenzar a utilizar el equipo. Se deberán observar siempre las siguientes precauciones:

Aviso importante de seguridad

Este equipo de fitness se ha fabricado para ofrecer un nivel óptimo de seguridad. Sin embargo, es preciso adoptar determinadas precauciones al manejar alguna pieza del equipo de fitness. Asegúrese de leer el manual completo antes de instalar o de utilizar el equipo. En particular, tenga en cuenta las siguientes precauciones de seguridad:

- Mantenga a los niños y las mascotas alejados del equipo en todo momento. NO deje haya ningún niño desatendido en la sala donde se encuentra el equipo.
- Sólo se puede utilizar el equipo de uno en uno.
- Si el usuario siente mareo, náusea, dolor de pecho o cualquier otro síntoma anormal, DETENGA inmediatamente el ejercicio. PÓNGASE EN CONTACTO CON UN MÉDICO INMEDIATAMENTE.
- Sitúe el equipo en una superficie despejada y nivelada. NO utilice el equipo cerca del agua o en exteriores.
- Mantenga las manos lejos de todas las piezas móviles.
- Lleve siempre puesta ropa deportiva adecuada al utilizar el equipo. NO se ponga ropa ni prendas que puedan quedar atrapadas en el equipo. También es preciso llevar zapatillas de jogging o aerobic al utilizar el equipo.
- Utilice el equipo exclusivamente con el fin para el que fue concebido y que se describe en este manual. NO utilice accesorios no recomendados por el fabricante.
- No deje ningún objeto afilado en torno al equipo.
- Las personas discapacitadas no deben utilizar el equipo.
- Antes de utilizar el equipo en una sesión, realice ejercicios de estiramiento para calentar adecuadamente.
- Nunca utilice el equipo si su funcionamiento no es el adecuado.
- Se recomienda que durante el ejercicio esté presente un observador.
- Este equipo se ha diseñado y concebido exclusivamente para uso doméstico y por el consumidor, no para uso comercial.

Advertencia:

Antes de comenzar un programa de ejercicios, consulte a su médico. Esto es especialmente importante para personas de más de 35 años de edad o que hayan padecido previamente problemas de salud. Lea todas las instrucciones antes de utilizar cualquier equipo de fitness. Tunturi New Fitness bv no asume ninguna responsabilidad por las lesiones personales ni los daños sobre la propiedad provocados por el uso de este producto o que se deriven del mismo.

Guarde estas instrucciones!

Información importante sobre montaje

Antes de empezar

Recomendamos utilizar dos llaves ajustables para montar el producto. También sirven llaves de tamaño métrico correcto.

⚠ ATENCIÓN!

- Las llaves (ajustables) adecuadas "NO" se suministran con el producto, ni se incluyen en el kit de montaje.
 - Se recomienda encarecidamente que el montaje de este equipo sea realizado por dos personas o más para evitar posibles lesiones.
- Asegúrese de que los tornillos de transporte se encuentran insertados en los orificios cuadrados de los componentes que se tienen que montar. Acople una arandela únicamente al extremo del tornillo de transporte.
- Use tornillos allen o tornillos de cabeza hexagonal insertados en el orificio circular de los componentes que se tienen que montar.
- Antes de apretar los tornillos, espere siempre a que se hayan instalado todos ellos en el banco. No apriete cada tornillo inmediatamente después de haberlo instalado.

Descripción de la ilustración A

La ilustración muestra cuál debe ser el aspecto de la máquina una vez completado el montaje.

Puede utilizar esta ilustración como referencia durante el montaje, pero siga siempre los pasos de montaje en el orden correcto como se muestra en las ilustraciones.

Descripción de la ilustración B

La ilustración muestra los componentes y las piezas que debe encontrar al desembalar el producto.

⚠ ATENCIÓN !!

- Las piezas de pequeño tamaño pueden estar ocultas o embaladas en espacios huecos del sistema de protección de poliestireno extruido del producto
- Si falta una pieza, contacte con su proveedor.

Descripción de la ilustración C

La ilustración muestra el juego de tornillería que se suministra con el producto.

El juego de tornillería contiene pernos, arandelas, tornillos, tuercas, etc. y las herramientas necesarias para montar correctamente la máquina.

Descripción de la ilustración D

Las ilustraciones muestran cómo montar mejor la máquina en el orden correcto.

⚠ ATENCIÓN !!

- Los números de pieza que se muestran en los pasos de montaje comienzan con la ilustración de la pieza de repuesto que se puede encontrar en la versión en línea del manual de usuario completo.

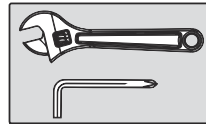
⚠ ADVERTENCIA

- Monte la máquina en el orden indicado.
- Al menos dos personas deben transportar y mover la máquina.

⚠ PRECAUCIÓN

- Coloque la máquina sobre una superficie firme y nivelada.
- Coloque la máquina sobre una base protectora para evitar daños en la superficie del suelo.
- Consulte las ilustraciones para el correcto montaje de la máquina.

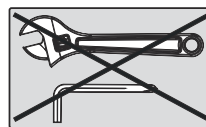
Apriete de tuercas y tornillos



Apriete firmemente todos los tornillos y las tuercas cuando se hayan ensamblado todos los componentes correspondientes al paso actual y los anteriores.

⚠ NOTA

- No apriete en exceso ningún componente de funcionamiento pivotante.
- Asegúrese de que todos los componentes pivotantes pueden moverse con libertad.



No apriete todos los tornillos y las tuercas en este paso.

Zona libre (Fig. D-0)

Un requisito previo de uso es disponer del espacio adecuado.

La zona libre debe tener más de 0,6 m que la *zona de entrenamiento en las direcciones desde las que se accede al equipo. La zona libre debe incluir también la zona de bajada de emergencia. Cuando se colocan varios equipos unos junto a otros, se puede compartir el valor del área libre.

*El área de entrenamiento es la longitud/anchura/altura máximas del entrenador, incluidas las piezas móviles, medidas hasta su máxima longitud/anchura/altura durante el uso.

IMPORTANTE

Puesto que el entrenador se puede configurar en las primeras horas de uso, recomendamos realizar una revisión rápida de la tornillería que se ha colocado durante el montaje.

Sugerimos apretar todos los tornillos y las tuercas una vez más después de las primeras sesiones de entrenamiento (aproximadamente 10 horas).

Solo para asegurar que los tornillos y las tuercas continúan bien apretados y lograr así el mejor rendimiento de su entrenador.

⚠ NOTA

Recomendamos comprobar la tornillería con regularidad, al menos una vez cada 3 meses.

Información adicional

Eliminación de embalajes

Las pautas gubernamentales exigen reducir la cantidad de residuos que se depositan en los basureros. Por este motivo, le rogamos que deseche los embalajes de manera responsable en centros públicos de reciclaje.

Eliminación al final de la vida útil

Desde Tunturi esperamos que disfrute de su equipo de entrenamiento durante muchos años. No obstante, llegará un momento en que éste llegue al final de su vida útil. Conforme a la Directiva WEEE (relativa a la gestión de residuos procedentes de equipos eléctricos y electrónicos) le corresponde a usted la responsabilidad de desechar adecuadamente su equipo de entrenamiento en un centro público autorizado de recogida.

Indicaciones para los ejercicios

Fortalecimiento de los músculos y aumento de peso

A diferencia del ejercicio aeróbico, que se centra en el entrenamiento de resistencia, el ejercicio anaeróbico se basa en el entrenamiento de fuerza. Puede que se produzca un aumento gradual de peso a medida que aumenta el tamaño y la fuerza de los músculos. Al desarrollar masa muscular, su cuerpo se adapta a la tensión a la que se le ha sometido. Puede modificar la dieta incluyendo alimentos tales como carne, pescado y verduras. Esos alimentos facilitan la recuperación de los músculos y permiten reponer nutrientes importantes tras una sesión extenuante.

Fuerza y resistencia de los músculos

Para aprovechar al máximo el entrenamiento, es importante que desarrolle un programa de ejercicios que le permita trabajar por igual todos los grupos musculares principales.

Para aumentar la fuerza de los músculos, siga este principio: incrementar la resistencia y mantener el número de repeticiones de un ejercicio da como resultado el aumento de la fuerza muscular. Para tonificar el cuerpo, siga este principio: reducir la resistencia y aumentar el número de repeticiones de un ejercicio da como resultado el aumento del tono corporal. Una vez que se sienta cómodo con un ejercicio, puede modificar la resistencia, el número de repeticiones o la velocidad con la que realiza el ejercicio. No es necesario modificar las tres variables. Por ejemplo, supongamos que el ejercicio se realiza con 10 kg. y 10 repeticiones en 3 minutos. Cuando empieza a ser demasiado sencillo, se puede decidir el aumento a 12 kg. para el mismo número de repeticiones y en el mismo tiempo. La consecuencia más frecuente de elevar más peso menos veces es el desarrollo de la fuerza muscular. Para conseguir tanto fuerza como resistencia muscular, se recomienda ejecutar entre 15 y 20 repeticiones por serie de cada ejercicio.

Intensidad del entrenamiento

La dureza con la que comience a entrenar depende de su estado de forma general. Se puede atenuar el dolor muscular que se siente reduciendo la carga a la que se someten los músculos y realizando menos series. Para evitar lesiones, es preciso proceder a un trabajo gradual según un programa de ejercicios y ajustar la carga al estado de forma particular. La carga debe aumentar a medida que mejora el nivel de forma.

Es habitual sentir dolor muscular, especialmente cuando se empieza a ejecutar ejercicios. Si se siente dolor muscular durante mucho tiempo, puede ser conveniente cambiar el programa. Eventualmente, el sistema muscular se acostumbrará a la tensión y el esfuerzo a los que se somete.

Inicio de un programa de fortalecimiento muscular

Calentamiento

Para comenzar un entrenamiento de fuerza, es importante calentar y realizar ejercicios suaves durante entre 5 y 10 minutos. De este modo se facilita la preparación del cuerpo para ejercicios más exigentes al aumentar la circulación, elevar la temperatura corporal y desarrollar la conducción de más oxígeno a los músculos.

Sesión

En cada sesión es preciso tener presente que no es deseable sentir dolor muscular durante mucho tiempo y que puede significar que se ha producido una lesión.

Recuperación

Al final de cada sesión, realice lentamente ejercicios de estiramiento durante entre 5 y 10 minutos. Ejecute cada estiramiento llegando solamente hasta donde pueda. Esta fase permite que los músculos se relajen tras el entrenamiento.

Para que el programa de entrenamiento sea completo, también se recomienda dedicar 2 o 3 días a ejercicios aeróbicos de modo adicional al entrenamiento de fuerza.

Ingesta de agua

Para que el cuerpo funcione adecuadamente, es preciso hidratarlo de modo apropiado. Si está haciendo ejercicio, debe aumentar la ingesta de fluidos. La razón para ello es que el agua que toma abandonará el sistema a través del sudor que sirve para refrigerar el cuerpo cuando se hace ejercicio. Es preciso que reponga el agua que pierde debido al ejercicio de modo que los músculos se puedan recuperar adecuadamente.

Día de descanso

Aunque pueda no sentir necesidad de hacerlo, es importante tomar por lo menos un día de descanso a la semana para ofrecer al cuerpo la oportunidad de curarse por sí mismo del esfuerzo.

El trabajo muscular continuado provocará un exceso de entrenamiento que no será beneficioso a largo plazo.

Limpieza y mantenimiento

- Lubrique periódicamente las piezas móviles con wd-40 u aceite ligero.
- Inspeccione y apriete todas las piezas antes de utilizar el equipo.
- El equipo se puede limpiar utilizando un paño húmedo y detergente neutro no abrasivo. No utilice disolventes.
- Examine con regularidad el equipo para verificar que no hay indicios de daños ni desgaste.
- Sustituya inmediatamente cualquier componente defectuoso y/o deje el equipo fuera de servicio hasta su reparación.
- Si no se realizan las tareas de inspección periódica, el nivel de seguridad del equipo puede verse afectado.

Defectos y fallos

A pesar del control de calidad continuo, la máquina puede presentar defectos y fallos ebidos a piezas individuales. En la mayoría de los casos, será suficiente sustituir la pieza defectuosa.

- Si la máquina no funciona correctamente, contacte inmediatamente con su proveedor.
- Facilite al proveedor el número de modelo y el número de serie de la máquina. Indique la naturaleza del problema, las condiciones de uso y la fecha de compra.

Información de contacto y manuales de los productos en otros idiomas se pueden encontrar en nuestros sitios web:

Garantía

Garantía del propietario del equipo Tunturi

Condiciones de la garantía

El cliente tiene derecho a los beneficios jurídicos aplicables recogidos en la legislación nacional relativa al comercio de bienes de consumo. Esta garantía no restringe dichos beneficios. La garantía del cliente solo será válida si se utiliza el producto en un entorno autorizado por Tunturi New Fitness BV y se mantiene tal como se indica para el equipo concreto. Las instrucciones de mantenimiento y medioambientales aprobadas específicas del producto se indican en el "manual del usuario" del producto. El "manual de usuario" se puede descargar en nuestro sitio web. <http://manuals.tunturi.com>

Garantía limitada

Tunturi New Fitness garantiza, en condiciones de uso normal y mantenimiento adecuado, la ausencia de defectos debidos a materiales o mano de obra en este producto durante un periodo de dos años en el bastidor y de un año en el resto de piezas y componentes, a partir de la fecha de compra. Esta garantía es aplicable exclusivamente al comprador original. Las obligaciones de Tunturi New Fitness relativas a la aplicación de esta garantía se limitan a la sustitución de las piezas dañadas o averiadas, a decisión de Tunturi New Fitness.

Todas las devoluciones deben ser previamente autorizadas por Tunturi New Fitness. Esta garantía no es aplicable a los productos cuyo deterioro esté causado por, o se pueda atribuir a, daños por transporte, maltrato, uso incorrecto, inadecuado o anormal, reparaciones realizadas por los propios compradores o en productos empleados para fines comerciales o de alquiler.

Aparte de la garantía que se acaba de indicar específicamente, ninguna otra está autorizada por Tunturi New Fitness.

Tunturi New Fitness no podrá ser considerado responsable en caso de daños indirectos, especiales o consecuentes derivados de, o relacionados con, el uso o el funcionamiento del producto u otros daños relativos a pérdidas económicas, pérdida de propiedades, pérdida de ingresos o beneficios, pérdida de posibilidad de uso o disfrute, coste de retirada, instalación u otros daños consecuentes cualquiera que sea su naturaleza.

La garantía que figura a continuación sustituye a cualesquiera otras, y cualquier garantía implícita de comercialización o idoneidad para un propósito particular se limitará en su alcance y duración a los términos aquí establecidos.

En ningún caso se verán afectados sus derechos legales.

Peso máximo admisible y dimensiones

(Fig. W#1)

- Peso de la carga máxima : 300 kg.
- Dimensiones montado: 112x 202x 220 cm.

Descargo de responsabilidad

© 2020 Tunturi New Fitness BV
Reservados todos los derechos.

- Tanto el producto como el manual están sujetos a modificaciones.
- Las modificaciones se pueden cambiar sin aviso.
- Consulte nuestra página web para descargar la versión del manual de usuario más reciente.

På svenska

Denna handbok är en översättning av den engelska texten. Vi förbehåller oss rätten till eventuella översättningsfel. Den engelska originaltexten råder.

Index

Välkommen.....	35
Viktigt säkerhetsmeddelande	35
Viktig monteringsinformation	35
Innan du sätter igång	35
Beskrivning illustration A.....	35
Beskrivning illustration B.....	36
Beskrivning illustration C.....	36
Beskrivning illustration D.....	36
Åtdragning av skruvar och muttrar.....	36
Fritt utrymme (Fig. D-0).....	36
Ytterligare information	36
Riktlinjer för träning.....	36
Bygga muskler och gå upp i vikt.....	36
Muskelstyrka och uthållighet.....	36
Träningsintensitet.....	37
Börja ett styrketränningsprogram.....	37
Rengöring och underhåll	37
Fel och funktionsstörningar.....	37
Garanti.....	37
Begränsad garanti.....	37
Viktkapacitet och dimension	38
Friskrivning.....	38

Välkommen

Välkommen till Tunturi Fitness värld!

Tack för att du köpte denna utrustning från Tunturi. Tunturi erbjuder ett stort utbud av professionell träningsutrustning, exempelvis Crosstrainers, löpband, träningscyklar, roddmaskiner, styrka bänkar och flera stationer. Utrustning från Tunturi passar hela familjen, oavsett träningsnivå. Mer information finns på vår webbplats, www.tunturi.com

Viktiga instruktioner om säkerhet

Denna handbok är en viktig del av din träningsutrustning. Läs alla instruktioner i den här handboken innan du börjar använda denna utrustning. Följande försiktighetsåtgärder måste alltid följas:

Viktigt säkerhetsmeddelande

Denna utrustning är konstruerad för optimal säkerhet. Vissa försiktighetsåtgärder gäller dock när du använder träningsutrustning. Var noga med att läsa hela bruksanvisningen innan du monterar eller använder din utrustning. Observera särskilt följande säkerhetsåtgärder:

- Håll alltid barn och husdjur borta från utrustningen. Lämna INTE barn oövakade i samma rum som utrustningen.
- Endast en person åt gången ska använda utrustningen.
- STOPPA OMEDELBART träningspasset om du som användare upplever yrsel, illamående, bröstsmärta eller andra onormala symptom. KONTAKTA OMEDELBART LÄKARE. Placera utrustningen på en fri, jämn yta. Använd INTE utrustningen nära vatten eller utomhus.
- Håll händerna borta från alla rörliga delar.
- Bär alltid lämplig träningskläder när du tränar. Använd INTE badrock eller annan klädsel som kan fastna i utrustningen. Löpar- eller träningskor är också nödvändiga vid användning av utrustningen. Använd endast utrustningen för det avsedda ändamålet och enligt beskrivningen i den här bruksanvisningen. Använd INTE tillbehör som inte rekommenderas av tillverkaren.
- Placera aldrig skarpa föremål i närheten av utrustningen.
- Handikappade personer bör inte använda utrustningen.
- Utför alltid stretchövningar för att värma upp ordentligt innan du använder utrustningen för att träna.
- Använd aldrig utrustningen om den inte fungerar korrekt.
- En medföljare rekommenderas vid träning.
- Denna utrustning är endast konstruerad och avsedd för hemma- och konsumentanvändning, inte för kommersiellt bruk.

Varning:

Rådfråga din läkare innan du börjar med ett träningsprogram. Detta är särskilt viktigt för personer över 35 års ålder eller personer som har hälsoproblem sedan tidigare.

Läs alla instruktioner innan du använder någon träningsutrustning. Tunturi New fitness bv. påtar sig inget ansvar för personskador eller egendomsskador som uppstår av eller vid användning av denna produkt.

Spara dessa instruktioner!**Viktig monteringsinformation****Innan du sätter igång**

Vi rekommenderar att du använder två justerbara skiftnycklar för att montera din produkt. Om du har metrisk skiftnycklar i rätt storlek är det också en fördel.

⚠ OBS

- Lämpliga (justerbara) skiftnycklar medföljer "INTE" med produkten och ingår inte heller i monteringsssatsen.
- För att undvika risken för personskada rekommenderar vi starkt att utrustningen monteras av två eller fler personer.

Beskrivning illustration A

På illustrationen kan du se hur träningsredskapet ska se ut efter att monteringen har slutförts.

Du kan använda illustrationen som referens under monteringen, men följ alltid stegen i monteringsinstruktionerna i rätt ordning.

Beskrivning illustration B

På illustrationen kan du se vilka komponenter och delar som du ska hitta när du packar upp produkten.

⚠ OBS!

- Små delar kan ligga gömda/vara nedpackade i ihåliga utrymmen i produktskyddet av polystyren.
- Om någon del saknas, kontakta din återförsäljare.

Beskrivning illustration C

På illustrationen visas de monteringsdelar som följer med produkten. Monteringsdelarna omfattar bultar, brickor, skruvar, muttrar etc. och de verktyg du behöver för att kunna montera träningsredskapet korrekt.

Beskrivning illustration D

På illustrationerna visas i rätt ordning hur träningsredskapet ska monteras på bästa sätt.

⚠ OBS!

- Delnumren som visas vid monteringsinstruktionerna överensstämmer med den reservdelsritning som finns i onlineversionen av hela bruksanvisningen.

⚠ VARNING

- Montera utrustningen i angiven ordning.
- Var två om att bära och förflytta utrustningen.

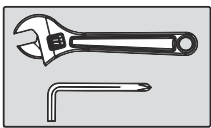
⚠ OBS.

- Placera utrustningen på en stabil och jämn yta.
- Placera utrustningen på en skyddande grund för att förhindra att golvet skadas.
- Illustrationerna visar det korrekta sättet att montera utrustningen.

⚠ ANMÄRKNING

- Spara verktygen som följer med denna produkt när monteringen är klar så att du kan använda dem för framtida servicearbeten.

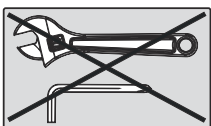
Åtdragning av skruvar och muttrar



Dra åt alla skruvar och muttrar ordentligt efter att alla komponenter har monterats i nuvarande och tidigare steg.

⚠ OBS

- Dra inte åt en komponent som har en rörlig funktion för hårt.
- Se till att alla vridbara komponenter kan röra sig fritt.



Dra inte åt alla skruvar och muttrar i detta steg.

Fritt utrymme (Fig. D-0)

Tillräckligt med fritt utrymme är ett krav för användning.

Det fria utrymmet ska vara minst 0,6 m större än *träningsutrymmet i de riktningar från vilka utrustningen används.

Det fria utrymmet ska även inkludera området för nödnedstigning. På platser där utrustning är placerad näst intill varandra kan det fria utrymmet delas.

*Träningsutrymmet är den maximala längden/bredden/höjden på träningsmaskinen (inklusive rörliga delar) under användning.

VIKTIG

Eftersom din träningsmaskin kommer/kan ställa in de första timmarna rekommenderar vi att du gör en snabb kontroll av hårdvaran du monterat under hopsättningen.

Vi föreslår att du drar åt alla skruvar och muttrar igen efter de första träningspassen (ungefär 10 timmar).

För att säkerställa att skruvarna och muttrarna fortfarande är väl åtdragna för bästa möjliga prestanda hos din träningsmaskin.

⚠ ANMÄRKNING

Vi rekommenderar att du kontrollerar hårdvaran regelbundet, minst en gång var tredje månad.

Ytterligare information

Bortskaffande av förpackning

Riktlinjer från myndigheter uppmanar att vi minskar mängden avfall som placeras i deponier. Vi ber dig därför att bortskaffa allt förpackningsavfall på ett ansvarsfullt sätt på allmänna återvinningscentraler.

Bortskaffande av uttjänt redskap

Vi på Tunturi hoppas att du får många års trevlig användning av ditt träningsredskap. Men det kommer en tid när ditt träningsredskap är uttjänt. Enligt den europeiska WEEE-lagstiftningen, ansvarar du för korrekt bortskaffande av ditt träningsredskap på en allmän återvinningsanläggning.

Riktlinjer för träning

Bygga muskler och gå upp i vikt

Till skillnad från aerobic-övningar, som betonar uthållighetsträning, fokuserar anaerobic-övningar på styrketräning. En gradvis viktökning kan uppstå när musklernas storlek och styrka byggs upp. Medan du utvecklar muskelmassan anpassar sig din kropp till de påfrestningar som läggs på den. Du kan modifiera din kost så att den inkluderar livsmedel som kött, fisk och grönsaker.

Dessa livsmedel hjälper musklerna att återhämta sig och fyller på viktiga näringsämnen efter ett ansträngande träningspass.

Muskelstyrka och uthållighet

För att uppnå största möjliga nytta av träningen är det viktigt att utveckla ett träningsprogram som gör att du kan arbeta igenom alla större muskelgrupper lika mycket.

Följ denna princip för att öka muskelstyrkan:

Ett ökande motstånd och upprätthållande av antalet upprepningar av en övning resulterar i ökad muskelstyrka.

Följ denna princip för att forma din kropp: Ett minskande motstånd plus ett ökat antal upprepningar av en övning resulterar i ökad kroppsformning.

När du känner dig bekväm med en övning kan du ändra motståndet, antalet upprepningar eller den hastighet som du genomför övningen på. Det är inte nödvändigt att ändra alla de tre variablerna. Låt oss till exempel säga att du tränar vid 10 kg och utför övningen 10 gånger på 3 minuter. När detta blir för lätt kan du bestämma dig för att lyfta 12 kg samma antal upprepningar på samma tid. Att lyfta högre vikter färre gånger utvecklar ofta muskelstyrka. För att uppnå både muskelstyrka och uthållighet rekommenderas att du repeterar varje övning 15 till 20 gånger per träningspass.

Träningsintensitet

Hur hårt du börjar träna beror på din övergripande konditionsnivå. Den eventuella ömhet du upplever kan minska genom att du minskar belastningen på dina muskler och genom att utföra färre pass.

För att undvika skada bör du gradvis arbeta dig in i ett träningsprogram och anpassa belastningen till din individuella konditionsnivå. Belastningen ska öka när din konditionsnivå ökar.

Träningsvärk är vanligt, särskilt när du först börjar träna. Om du har ont under en längre tid kan det vara dags att ändra ditt program. Så småningom blir ditt muskelsystem vant vid påfrestningarna och belastningarna.

Börja ett styrketräningsprogram

Uppvärmning

För att börja styrketräningen är det viktigt att stretcha och utföra lättare övningar under 5 till 10 minuter. Detta hjälper till att förbereda kroppen på mer ansträngande övningar genom att öka cirkulationen, höja din kroppstemperatur och utveckla mer syre till dina muskler.

Träning

Vid varje träningspass måste man komma ihåg att muskelvärk som håller i sig lång tid i inte är önskvärt och kan innebära att en skada har uppstått.

Varva ned

Utför långsamma stretchövningar under 5 till 10 minuter vid slutet av varje träningspass. Vila i varje sträckning och gå bara så långt du kan. Det här steget gör att dina muskler kan varva ner efter träningen.

För ett fullständigt träningsprogram rekommenderas också att 2 till 3 dagar aerobic-träning genomförs utöver styrketräningen.

Dricka vatten

För att kroppen ska fungera korrekt måste den vara ordentligt hydrerad. Om du tränar ska du öka ditt vätskeintag. Anledningen till detta är att vattnet du tar in lämnar ditt system genom svettningmekanismen som kyler din kropp under träningen. Vattnet du förlorar genom träning måste ersättas så att musklerna kan återhämta sig ordentligt.

Vilodag

Även om du kanske inte känner för det så är det viktigt att du tar en vilodag minst en gång i veckan, eftersom det ger din kropp en chans att läka sig själv. Kontinuerligt arbete med dina muskler resulterar i överträning som inte kommer att vara till nytta på lång sikt.

Rengöring och underhåll

- Smörj rörliga delar regelbundet med WD-40 eller lätt olja.
- Kontrollera och dra åt alla delar innan utrustningen används.
- Utrustningen kan rengöras med en fuktig trasa och ett mildt rengöringsmedel. ANVÄND INTE lösningsmedel.
- Kontrollera regelbundet om utrustningen uppvisar tecken på skador eller slitage.
- Byt alla defekta komponenter omedelbart och/eller använd inte utrustningen innan den är reparerad.
- Underlåtenhet att regelbundet undersöka utrustningen kan påverka dess säkerhetsnivå.

Fel och funktionsstörningar

Trots ständig kvalitetskontroller, kan fel och funktionsstörningar inträffa som orsakas av enstaka delar. I de flesta fallen räcker det med att byta ut den felaktiga delen.

- Om utrustningen inte fungerar korrekt, kontakta omedelbart återförsäljaren.
- Lämna utrustningens modellnummer och serienummer till återförsäljaren. Ange problemets art, förhållanden vid användning och inköpsdatum.

Ytterligare kontaktuppgifter eller bruksanvisningar på andra språk finns på vår webbsida.

Garanti

Tunturis årgarantitunt

Garantivillkor

Konsumenten har rätt till tillämpliga lagliga rättigheter som anges i den nationella lagstiftningen om handel med konsumentvaror. Denna garanti begränsar inte dessa rättigheter. Köparens garanti är endast giltig om produkten används i en miljö som är godkänd av Tunturi New Fitness BV och underhålls enligt instruktionerna för den specifika utrustningen. Den produktspecifika godkända miljön och underhållsinstruktionerna anges i produktens "användarhandbok". "Användarhandboken" kan laddas ned från vår webbplats. <http://manuals.tunturi.com>

Begränsad garanti

Tunturi New Fitness garanterar att denna produkt är fri från defekter i utförande och material, under normala användnings- och serviceförhållanden, för en period om två år för ramen och ett år för alla andra delar och komponenter från inköpsdatum. Denna garanti omfattar endast den ursprungliga köparen. Tunturi New Fitness skyldighet enligt denna garanti är begränsad till att ersätta skadade eller felaktiga delar enligt Tunturi New Fitness eget gottfinnande.

Alla returerna måste först godkännas av Tunturi New Fitness. Denna garanti omfattar inte någon produkt eller skada på en produkt som orsakas av eller hänför sig till fraktskador, missbruk, felaktig eller onormal användning, köparens egna reparationer eller för produkter som används för kommersiella eller uthyrningsändamål. Ingen annan garanti än vad som särskilt anges ovan är godkänd av Tunturi New Fitness.

Tunturi New Fitness är inte förpliktigade eller ansvariga för indirekta, speciella eller följdskador som uppstår på grund av eller i samband med användningen eller utförandet av produkten eller andra skador med avseende på ekonomisk förlust, förlust av egendom, inkomstförlust eller vinst, förlust av nöjen eller användning, kostnader för borttagning, installation eller andra följdskador eller annat av samma natur.

Garantiomfattningen gäller i stället för alla andra garantier, eventuella underförstådda garantier gällande säljbarhet eller lämplighet för ett visst ändamål är begränsade inom dess omfattning och varaktighet till de villkor som anges här.

Dina lagstadgade rättigheter påverkas inte.

Viktkapacitet och dimension

(Fig. W#1)

- Maximal lastvikt : 300 kg.
- Mått monterad: 112x 202x 220 cm.

Friskrivning

© 2020 Tunturi New Fitness BV
Alla rättigheter förbehålles.

- Produkten och handboken kan komma att ändras.
- Specifikationer kan ändras utan förvarning.
- På vår webbplats finns den senaste bruksanvisningen.

Suomeksi

Tämä suomennettu käyttöohje on käännetty Englannin kielestä. Pidätämme oikeudet mahdollisiin käännösvirheisiin. Käännös tehty virallisen, englanninkielisen version pohjalta.

Sisältö

Tervetuloa.....	39
Tärkeä turvallisuusilmoitus	39
Tärkeitä asennustietoja	39
Ennen kuin aloitat.....	39
Kuvan A kuvaus	39
Kuvan B kuvaus	40
Kuvan C kuvaus	40
Kuvan D kuvaus	40
Kiristä mutterit ja ruuvit	40
Vapaa alue (Kuva D-0)	40
Lisätietoa laitteen omistajalle	40
Harjoitteluohjeet	40
Lihasten kasvattaminen ja painon nouseminen.....	40
Lihaskiinnitys ja kestävyys.....	40
Harjoituksen raskuus.....	41
Voimaa kasvattavan ohjelman aloittaminen	41
Puhdistus ja huolto	41
Viat ja häiriöt	41
Takuu	41
Rajoitettu takuu	41
Painokapasiteetti ja mitat.....	42
Vastuuvapauslauseke.....	42

Tervetuloa

Tervetuloa Tunturi Fitness -maailmaan!

Kiitämme sinua tämän Tunturi-laitteen ostosta. Tunturi tarjoaa laajan valikoiman ammattimaisia kuntoilulaitteita, mukaan lukien crosstrainerit, juoksumatot, kuntopyörät, soutulaitteet, voimapankit ja moniasemat.

Tunturi-laite sopii koko perheelle kuntotasosta riippumatta. Katso lisätiedot verkkosivuiltamme www.tunturi.com

Tärkeitä turvallisuusohjeita

Tämä opas on olennainen osa kuntolaitettasi. Perehdy ohjeisiin huolellisesti ennen kuin alat käyttää kuntolaitettasi. Noudata aina seuraavia varotoimia:

Tärkeä turvallisuusilmoitus

Tämä kuntoilulaite on suunniteltu erittäin turvallisesti. Tiettyjä varotoimia on kuitenkin noudatettava kuntoilulaitetta käytettäessä. Varmista, että luet kaikki käyttöohjeet, ennen kuin asennat laitteesi tai käytät sitä. Huomaa erityisesti seuraavat turvallisuusvarotoimet:

- Pidä lapset ja lemmikit aina loitolla laitteesta. ÄLÄ jätä lapsia valvomatta samaan huoneeseen, jossa laite on.
- Laitetta saa käyttää vain yksi henkilö kerrallaan.
- Jos sinua alkaa huimata taikka tunnet pahoinvointia, rintakipua tai muita epänormaaleja oireita, LOPETA harjoittelu heti. OTA VÄLITTÖMÄSTI YHTEYTTÄ LÄÄKÄRIIN.
Sijoita laite esteettömälle, tasaiselle pinnalle. ÄLÄ käytä laitetta veden lähellä tai ulkona.
- Pidä kädet aina riittävän etäällä laitteen liikkuvista osista.
- Pukeudu aina sopiviin kuntoiluvaatteisiin harjoitellessasi. ÄLÄ pukeudu hameisiin tai muihin vaatteisiin, jotka voivat jäädä kiinni laitteeseen. Laitteen käyttöön tarvitaan myös juoksu- tai aerobickengät.
Käytä laitetta vain näissä käyttöohjeissa kuvattuun tarkoitukseen ja kuvatulla tavalla. ÄLÄ käytä lisävarusteita, joita valmistaja ei ole suositellut.
- Älä aseta teräviä esineitä laitteen ympärille.
- Vammaiset eivät saa käyttää laitetta.
- Lämmittele aina hyvin ennen kuntoilulaitteen käyttöä tekemällä venyttelyharjoituksia.
- Älä koskaan käytä laitetta, jos se ei toimi oikein.
- Harjoittelun aikana suositellaan käytettävän varmistajaa.
- Tämä laite on suunniteltu ja tarkoitettu vain kotitalous- ja kuluttajakäyttöön, ei kaupalliseen käyttöön.

Varoitus:

Kysy lääkäritäsi neuvoja ennen minkään kuntoiluohtelman aloittamista. Tämä on erityisen tärkeää yli 35-vuotiailla tai henkilöillä, joilla on ennestään terveysongelmia. Lue kaikki ohjeet ennen minkään kuntolaitteen käyttöä. Tunturi New fitness bv. ei ota mitään vastuuta henkilö- tai omaisuusvahingoista, jotka aiheutuvat tämän laitteen käytöstä tai tämän laitteen käytön kautta.

Säilytä nämä ohjeet!**Tärkeitä asennustietoja****Ennen kuin aloitat**

Suosittellemme käyttämään kahta säädettävää jakoavainta tuotteen kokoamiseen. Jos sinulla on oikean kokoisia metrijärjestelmän avaimia, se sopii myös.

⚠ HUOMAUTUS

- Sopivia (säädettäviä) avaimia "E1" toimiteta tuotteen mukana, eivätkä ne sisälly asennussarjaan.
- Loukkaantumisen välttämiseksi on erittäin suositeltavaa, että tämän laitteen asennukseen osallistuu vähintään kaksi henkilöä.

Kuvan A kuvaus

Kuvassa on esitetty, miltä harjoituslaite näyttää, kun asennus on saatu valmiiksi.

Voit käyttää tätä viitteenä asennuksen aikana, mutta tee asennusvaiheet aina oikeassa järjestyksessä kuvien mukaisesti.

Kuvan B kuvaus

Kuvassa on esitetty, mitä komponentteja ja osia sinun tulisi löytää poistaessasi tuotteen pakkauksesta.

HUOMAUTUS!!

- Pienet osat voivat olla piilossa / pakattuina Styrofoam-tuotesuojan koloihin.
- Jos osa puuttuu, ota yhteys jälleenmyyjään.

Kuvan C kuvaus

Kuvassa on esitetty tuotteesi mukana tuleva välinepaketti. Välinepaketti sisältää pultit, aluslaatat, ruuvit, mutterit jne. sekä tarvittavat työkalut harjoittelulaitteen asianmukaiseen asennukseen.

Kuvan D kuvaus

Kuvassa on esitetty oikea järjestys, jota noudattamalla harjoittelulaitteen asennus onnistuu parhaiten.

HUOMAUTUS!!

- Asennusvaiheissa esitetyt osanumerot alkavat varaosapiirustuksen numerolla; varaosapiirustuksen löytää verkosta käyttöohjeen täydestä versiosta.

VAROITUS

- Kokoonpane laite esitetyssä järjestyksessä.
- Vähintään kahden henkilön on kannettava ja siirrettävä laitetta.

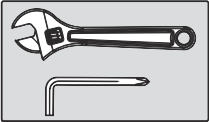
HUOMAUTUS

- Sijoita laite kovalle, tasaiselle alustalle.
- Asettakaa laite suojalustalle lattiapinnan vaurioiden estämiseksi.
- Katso piirroksesta laitteen oikea asennus.

ILMOITUS

- Kun olet suorittanut asennuksen loppuun, pane tämän tuotteen mukana toimitetut työkalut talteen tulevia huoltotöitä varten.

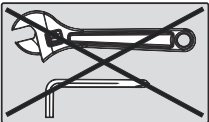
Kiristä mutterit ja ruuvit



Kiristä kunnolla kaikki mutterit ja ruuvit sen jälkeen, kun kaikki nykyisen ja edeltävien vaiheiden osat on asennettu.

HUOM

- Älä ylikiristä mitään kääntyvää osaa.
- Varmista, että kaikki kääntyvät osat pääsevät liikkumaan vapaasti.



Älä kiristä kaikkia muttereita ja ruuveja tässä vaiheessa.

Vapaa alue (Kuva D-0)

Riittävä tila on käytön edellytys.

Vapaan alueen on oltava vähintään 0,6 metriä suurempi kuin *harjoittelualue niiden suuntien osalta, joista laitteeseen noustaan. Vapaaseen alueeseen on sisällyttävä myös alue hätäpoistumista varten. Jos laitteet on sijoitettu vierekkäin, vapaan alueen arvo voidaan jakaa.

*Harjoittelualue on harjoituslaitteen suurin pituus/leveys/korkeus, mukaan lukien liikkuvat osat, mitattuna sen suurimpaan pituuteen/leveuteen/korkeuteen käytön aikana.

TÄRKEÄ

Koska harjoituslaite asettuu/voi asettua ensimmäisten käyttötuntien aikana, suosittelemme, että teet pikatarkastuksen asennuksen aikana asennetuille laitteille.

Suosittellemme, että kaikki pultit ja mutterit kiristetään uudelleen muutaman ensimmäisen harjoituskerran jälkeen (noin 10 tuntia). Varmista, että pultit ja mutterit on edelleen kiristetty kunnolla, jotta harjoituslaite toimisi parhaalla mahdollisella tavalla.

ILMOITUS

Suosittellemme laitteiden tarkistamista säännöllisesti, vähintään 3 kuukauden välein.

Lisätietoa laitteen omistajalle

Pakkauksen hävittäminen

Lainsäädäntö ohjeistaa meitä vähentämään kaatopaikoille toimitetun jätteen määrää. Sen vuoksi pyydämme sinua toimittamaan kaikki pakkausjätteet sitä varten tarkoitettuun kierrätyskeskukseen.

Laitteen hävittäminen käyttöiän päätyttyä

Me Tunturilla toivomme, että iloitset kuntolaitteestasi vuosia. Jokainen kuntolaite tulee kuitenkin aikanaan oman käyttöikänsä loppuun. Kotitalouksien sähkö- ja elektroniikkalaiteromua käsittelevien eurooppalaisten määräysten (WEEE) mukaan sinun kuuluu toimittaa kuntolaitteesi sitä varten tarkoitettuun keräyspaikkaan.

Harjoitteluohjeet

Lihasten kasvattaminen ja painon nouseminen

Toisin kuin aerobisessa harjoittelussa, jossa korostetaan kestävyysharjoittelua, anaerobisessa harjoittelussa keskitytään voimaharjoitteluun. Paino voi nousta asteittain, kun lihasten kokoa ja voimaa kasvatetaan. Lihasmassaa kehitettäessä kehosi mukautuu siihen kohdistuvaan rasitukseen. Voit muokata ruokavaliotasi niin, että siihen sisältyy esimerkiksi lihaa, kalaa ja vihanneksia. Nämä ruoka-aineet auttavat lihaksia palautumaan ja täydentävät tärkeiden ravintoaineiden määrää rasittavan harjoittelun jälkeen.

Lihassoima ja kestävyys

Jotta harjoittelusta saa suurimman mahdollisen hyödyn, on tärkeää laatia kuntoiluohjelma, jonka ansiosta saat harjoitettua kaikkia tärkeitä lihasryhmiä tasapuolisesti.

Jos haluat lisätä lihasvoimaa, noudata tätä periaatetta: Lihasvoima lisääntyy, kun vastusta lisätään ja harjoituksen toistomäärä pidetään samana.

Jos haluat kiinteyttää vartaloasi, noudata tätä periaatetta: Vartalo kiinteytyy, kun vastusta vähennetään ja harjoituksen toistomäärää lisätään.

Kun harjoitus tuntuu helpolta, voit muuttaa vastusta, toistomäärää tai nopeutta, jolla teet harjoituksen. Kaikkia kolmea muuttujaa ei ole tarpeen muuttaa. Voit esimerkiksi harjoitella 10 kg:n painolla ja tehdä harjoituksen 10 kertaa 3 minuutissa. Kun tästä tulee liian helppoa, voit päättää nostaa painoksi 12 kg ja tehdä saman toistomäärän samassa ajassa. Lihasvoima kehittyy useimmiten nostamalla suurempia painoja vähempiä kertoja. Jos haluat kehittää sekä lihasvoimaa että kestävyttä, suositeltavaa on, että teet jokaisessa harjoituksessa 15–20 toistoa sarjaa kohden.

Harjoituksen rasiustaso

Se, miten kovaa alat harjoitella, riippuu yleisestä kuntotasostasi. Kokemaasi kipua voi pienentää vähentämällä lihaksiin kohdistuvaa kuormaa ja tehtyjen sarjojen määrää.

Vammojen välttämiseksi sinun pitäisi täydentää kuntoiluohtelmaa asteittain ja määrittää kuormitus yksilöllisen kuntotasosi mukaan. Kuormituksen pitäisi kasvaa kuntosi kasvaessa.

Lihaskipu on yleistä, erityisesti aloittaessasi harjoittelun. Jos kipu tuntuu pahalta ja kestää pitkään, sinun on ehkä muutettava ohjelmaa. Lopulta lihaksistosi tottuu siihen kohdistuvaan rasitukseen ja kuormaan.

Voimaa kasvattavan ohjelman aloittaminen

Alkuverryttely

Voimaharjoittelun aluksi on tärkeää venyttellä ja harjoitella kevyesti 5–10 minuutin ajan. Tämä auttaa kehoa valmistautumaan rasittavampaan harjoitteluun lisäämällä verenkiertoa, nostamalla ruumiinlämpöä ja tuomalla lisää happea lihaksiin.

Harjoittelu

Kaikessa harjoittelussa on muistettava, että pitkään kestävä lihaskipu ei ole toivottavaa ja voi kertoa vamman syntymisestä.

Loppuverryttely

Venyttele jokaisen harjoittelukerran lopussa hitaasti 5–10 minuutin ajan. Tee kaikki venytykset asteittain menemällä vain niin pitkälle kuin pystyt. Tämä vaihe auttaa lihaksiasi palautumaan harjoittelun jälkeen.

Jotta kuntoiluohtelma on kokonaisvaltainen, on suositeltavaa, että voimaharjoittelun lisäksi siinä on 2–3 päivänä aerobista harjoittelua.

Veden juominen

Keho voi toimia asianmukaisesti vain, jos sitä nesteytetään oikein. Jos kuntoilet, nautittavien nesteiden määrää on lisättävä. Tähän on syynä se, että nauttimasi vesi poistuu elimistöstäsi hikoilun kautta, joka viilentää kehoasi harjoittelun aikana. Harjoittelun aikana menettämäsi vesi on korvattava, jotta lihakset palautuvat kunnolla.

Lepopäivä

Vaikka et sitä haluaisikaan, on tärkeää pitää lepopäivä vähintään kerran viikossa, jotta kehosi saa mahdollisuuden toipua. Lihasten jatkuva harjoittaminen johtaa yliharjoitteluun, joka ei ole hyödyksi pitkällä aikavälillä.

Puhdistus ja huolto

- Voitele liikkuvat osat säännöllisesti WD-40:llä tai kevyellä öljyllä.
- Tarkasta ja kiristä kaikki osat ennen laitteen käyttöä.
- Laitteen voi puhdistaa kevyesti kostutetulla liinalla ja miedolla, hankaamattomalla puhdistusaineella. ÄLÄ KÄYTÄ liuottimia.
- Tarkasta säännöllisesti, että laite ei ole vahingoittunut tai kulunut.
- Vaihda vialliset osat välittömästi ja/tai pidä laite poissa käytöstä siihen asti kun se on korjattu.
- Tarkastuksen laiminlyönti voi vaikuttaa laitteen turvallisuuteen.

Viat ja häiriöt

Huolimatta jatkuvasti laadunvarmistuksesta laitteessa voi tapahtua yksittäisen osan aiheuttamia vikoja ja häiriöitä. Useimmissa tapauksissa viallisen osan vaihtaminen on riittävää

- Jos laite ei toimi normaalisti, ota välittömästi yhteys jälleenmyyjään.
- Anna jälleenmyyjälle laitteen malli- ja sarjanumero. Kerro ongelman luonne, käyttöolosuhteet ja ostopäivä.

Muita yhteystietoja ja muunkielisiä käyttöohjeita löytyy sivustoltamme.

Takuu

Tunturi-kuntolaitteen omistajan takuu

Takuuehdot

Kuluttaja on oikeutettu soveltuviin, kansallisessa kuluttajatuotteiden kauppaa koskevassa lainsäädännössä mainittuihin lakisääteisiin oikeuksiin. Tämä takuu ei rajoita näitä oikeuksia. Ostajan takuu on voimassa vain, jos tuotetta käytetään ympäristössä, jonka Tunturi New Fitness BV on kyseiselle laitteelle hyväksynyt. Kunkin tuotteen sallitut käyttöympäristöt ja huolto-ohjeet on esitetty tuotteen käyttöohjeessa. Käyttöohje on ladattavissa verkkosivustoltamme. <http://manuals.tunturi.com>

Rajoitettu takuu

Tunturi New Fitness takaa, että tuotteessa ei esiinny valmistus- tai materiaalivikoja, kun sitä käytetään ja huolletaan normaalisti, rungon osalta kahteen vuoteen sekä kaikkien muiden osien osalta yhteen vuoteen ostopäivästä lukien. Tämä takuu koskee vain laitteen alkuperäisostajaa. Tunturi New Fitnessin tämän takuun mukainen velvollisuus rajoittuu vaurioituneiden tai viallisten osien vaihtamiseen Tunturi New Fitnessin valinnan mukaan.

Kaikkiin palautuksiin on hankittava ennakolta Tunturi New Fitnessin lupa. Tämä takuu ei kata mitään tuotetta tai tuotevauriota, jonka on aiheuttanut rahtivahinko, väärinkäyttö, virheellinen käyttö, epäasianmukainen tai epätavallinen käyttö, ostajan oma korjaus tai tuote, jota on käytetty kaupallisissa tai vuokraustarkoituksissa, taikka joka johtuu sellaisesta. Tunturi New Fitness ei myönnä mitään muuta takuuta kuin nimenomaisesti edellä esitetyn takuun.

Tunturi New Fitness ei ole missään vastuussa epäsuorista, erityisistä tai välillisistä vahingoista, jotka johtuvat tuotteen käytöstä tai suorituksesta taikka liittyvät siihen, eikä mistään muista vahingoista, jotka liittyvät taloudelliseen tappioon, omaisuuden menettämiseen, tuottojen tai voittojen menettämiseen, nautinnon tai käyttömahdollisuuden menettämiseen, poistokustannuksiin, asennukseen tai muihin välillisiin vahinkoihin tai mihinkään muihin vahinkoihin.

Tässä esitetty takuu korvaa kaikki mahdolliset muut takuut ja hiljaiset takuut myyntikelpoisuudesta tai sopivuudesta tiettyyn tarkoitukseen, ja sen laajuus ja kesto on rajoitettu tässä esitettyihin ehtoihin.

Takuu ei vaikuta lakisääteisiin oikeuksiisi.

Painokapasiteetti ja mitat

(Fig. W#1)

- Kuorman enimmäispaino : 300 kg.
- Mitat koottuna: 112x 202x 220 cm.

Vastuuvapauslauseke

© 2020 Tunturi New Fitness BV

Kaikki oikeudet pidätetään.

- Tuote ja käyttöopas saattavat muuttua.
- Teknisiä tietoja saatetaan muuttaa ilman eri ilmoitusta.
- Katso käyttöohjeiden uusin versio verkkosivustoltamme.

TUNTURI®

FEEL BETTER EVERY DAY

TUNTURI NEW FITNESS B.V.

Purmerweg 1
1311 XE Almere
The Netherlands

P.O. Box 60001
1320 AA Almere
The Netherlands

info@tunturi.com
www.tunturi.com



20200621-W